

ROECO

# Bearing Data

## Ball Bearing Units

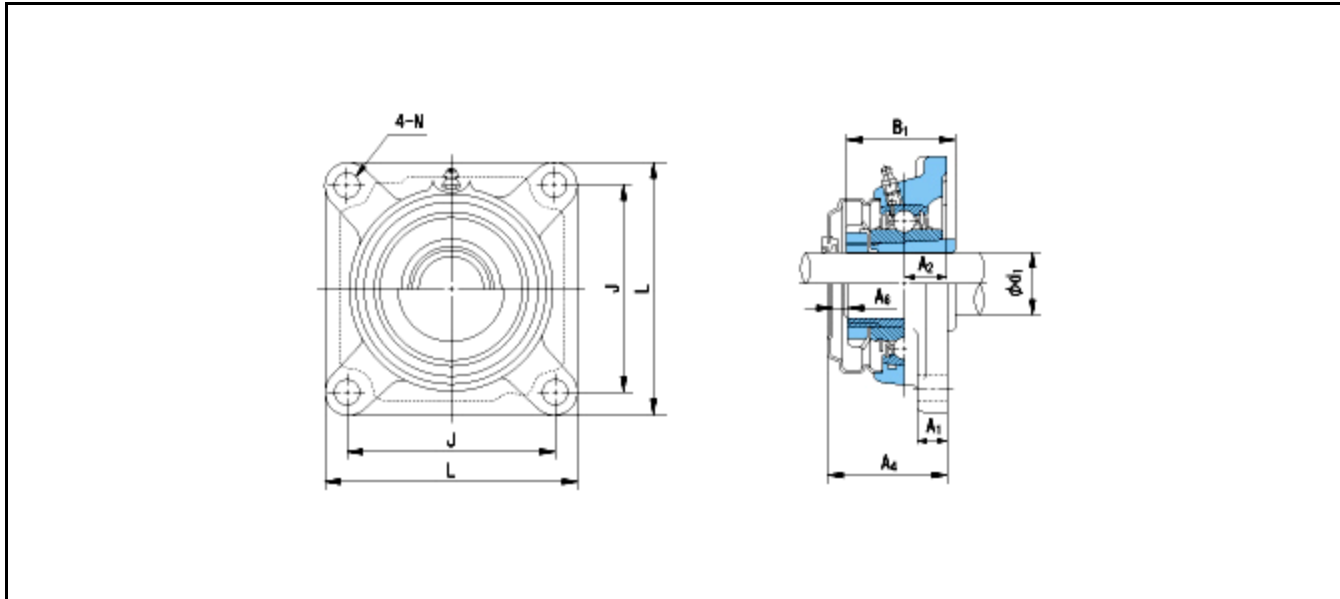
Bearing No. : **UKFX12E+H2312**

Dimensions

L = 187

J = 149

N = 19



Dimensions

d1 = 55

A1 = 21

A2 = 34

B1 = 62

A4 = 86

A6 = 19

Mass = 5.4 kg

Basic Dynamic Load Rating Cr :	<b>57500 N</b>			
Basic Static Load Rating Cor :	<b>40000 N</b>	O.D.Surface Runout with Side :		-
Limiting Speed ;		Axial Runout with Bore :	-	
Grease Lubrication :	- rpm	Axial Runout with Raceway :	-	-
Oil Lubrication :	- rpm	Width Variation :	-	-
		Radial Runout :	-	-