

ROECO

Bearing Data

Ball Bearing Units

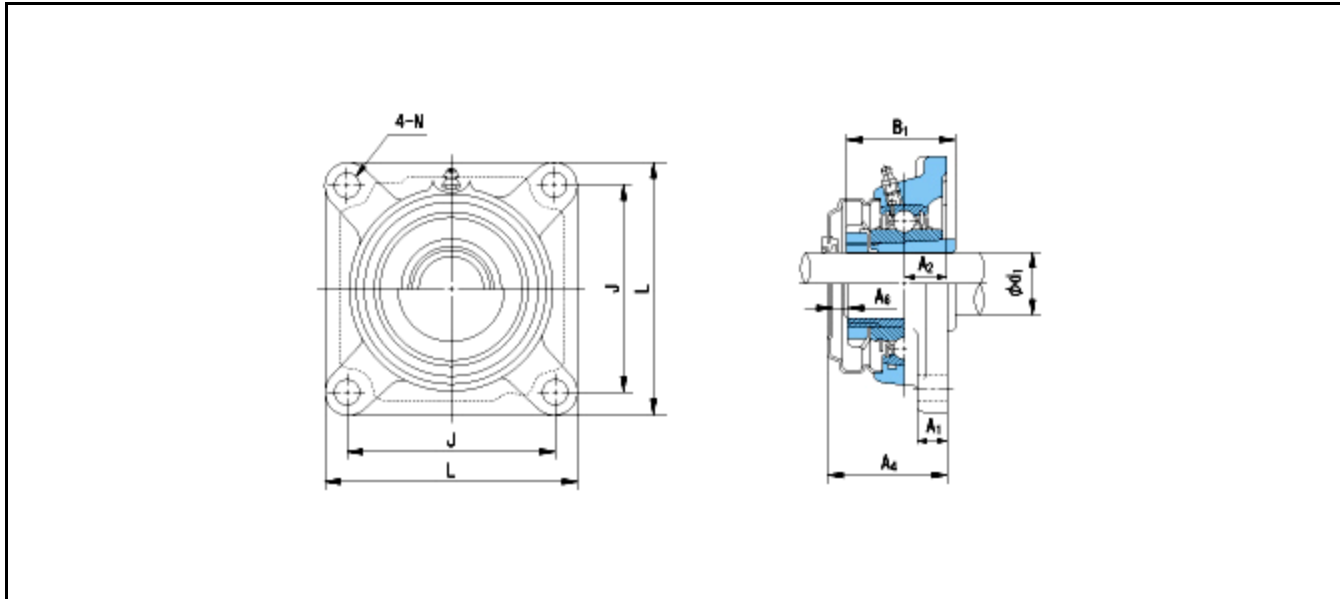
Bearing No. : **UKFX11E+H2311**

Dimensions

L = 175

J = 143

N = 19



Dimensions

d1 = 50

A1 = 20

A2 = 29

B1 = 59

A4 = 79

A6 = 19

Mass = 4.4 kg

Basic Dynamic Load Rating Cr :	52500 N			
Basic Static Load Rating Cor :	36100 N	O.D.Surface Runout with Side :		-
Limiting Speed ;		Axial Runout with Bore :	-	-
Grease Lubrication :	- rpm	Axial Runout with Raceway :	-	-
Oil Lubrication :	- rpm	Width Variation :	-	-
		Radial Runout :	-	-