

ROECO

## Bearing Data

### Ball Bearing Units

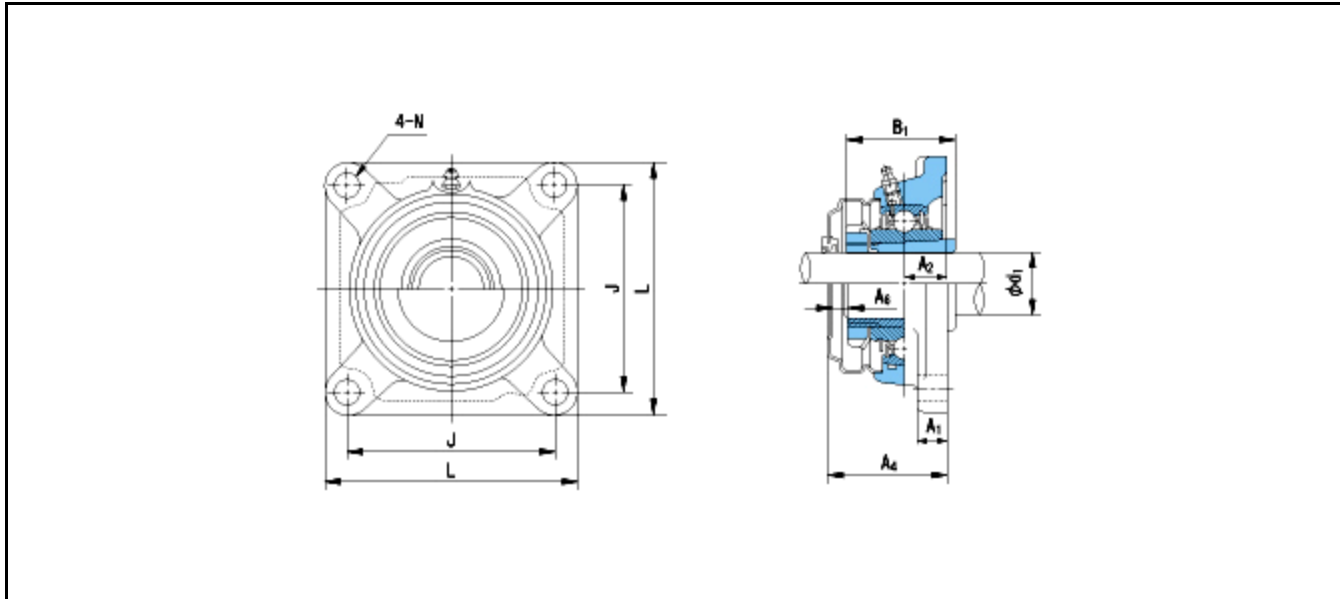
Bearing No. : **UKFX10C+H2310**

Dimensions

L = 162

J = 130

N = 19



Dimensions

d1 = 45

A1 = 20

A2 = 26

B1 = 55

A4 = 70

A6 = 14

Mass = 3.7 kg

Basic Dynamic Load Rating Cr :	<b>43000 N</b>				
Basic Static Load Rating Cor :	<b>29400 N</b>	O.D.Surface Runout with Side :			-
Limiting Speed ;		Axial Runout with Bore :			-
Grease Lubrication :	- rpm	Axial Runout with Raceway :			-
Oil Lubrication :	- rpm	Width Variation :			-
		Radial Runout :			-