

ROECO

# Bearing Data

## Ball Bearing Units

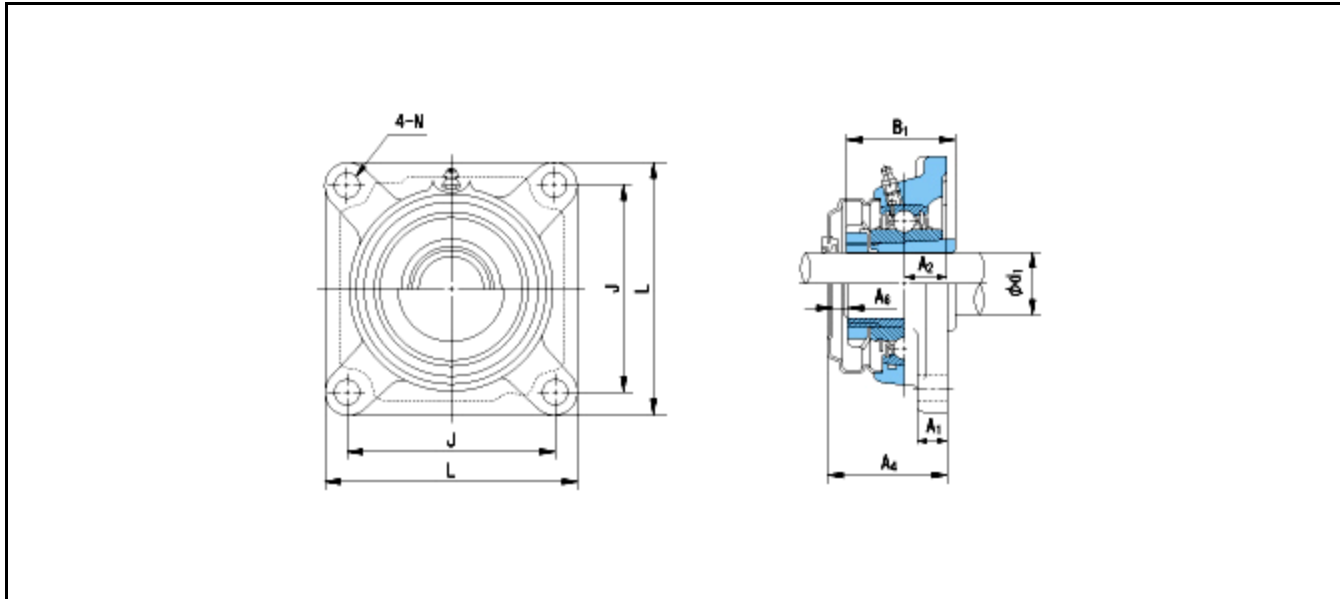
Bearing No. : **UKFX09E+H2309**

Dimensions

L = 143

J = 111

N = 19



Dimensions

d1 = 40

A1 = 14

A2 = 23

B1 = 50

A4 = 67

A6 = 16

Mass = 2.5 kg

|                                |                |                                |  |  |   |
|--------------------------------|----------------|--------------------------------|--|--|---|
| Basic Dynamic Load Rating Cr : | <b>35500 N</b> |                                |  |  |   |
| Basic Static Load Rating Cor : | <b>23200 N</b> | O.D.Surface Runout with Side : |  |  | - |
| Limiting Speed ;               |                | Axial Runout with Bore :       |  |  | - |
| Grease Lubrication :           | - rpm          | Axial Runout with Raceway :    |  |  | - |
| Oil Lubrication :              | - rpm          | Width Variation :              |  |  | - |
|                                |                | Radial Runout :                |  |  | - |