

ROECO

# Bearing Data

## Ball Bearing Units

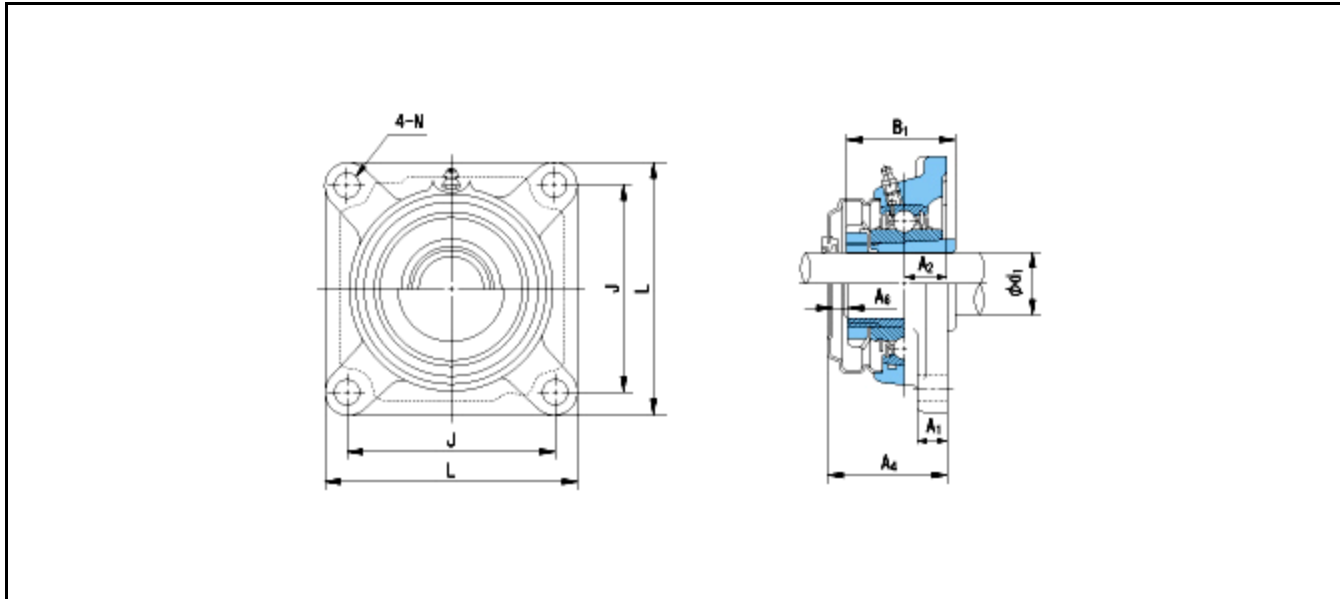
Bearing No. : **UKFX09C+H2309**

Dimensions

L = 143

J = 111

N = 19



Dimensions

d1 = 40

A1 = 14

A2 = 23

B1 = 50

A4 = 67

A6 = 16

Mass = 2.5 kg

Basic Dynamic Load Rating Cr :	<b>35500 N</b>			
Basic Static Load Rating Cor :	<b>23200 N</b>	O.D.Surface Runout with Side :		-
Limiting Speed ;		Axial Runout with Bore :	-	
Grease Lubrication :	- rpm	Axial Runout with Raceway :	-	-
Oil Lubrication :	- rpm	Width Variation :	-	-
		Radial Runout :	-	-