

ROECO

Bearing Data

Ball Bearing Units

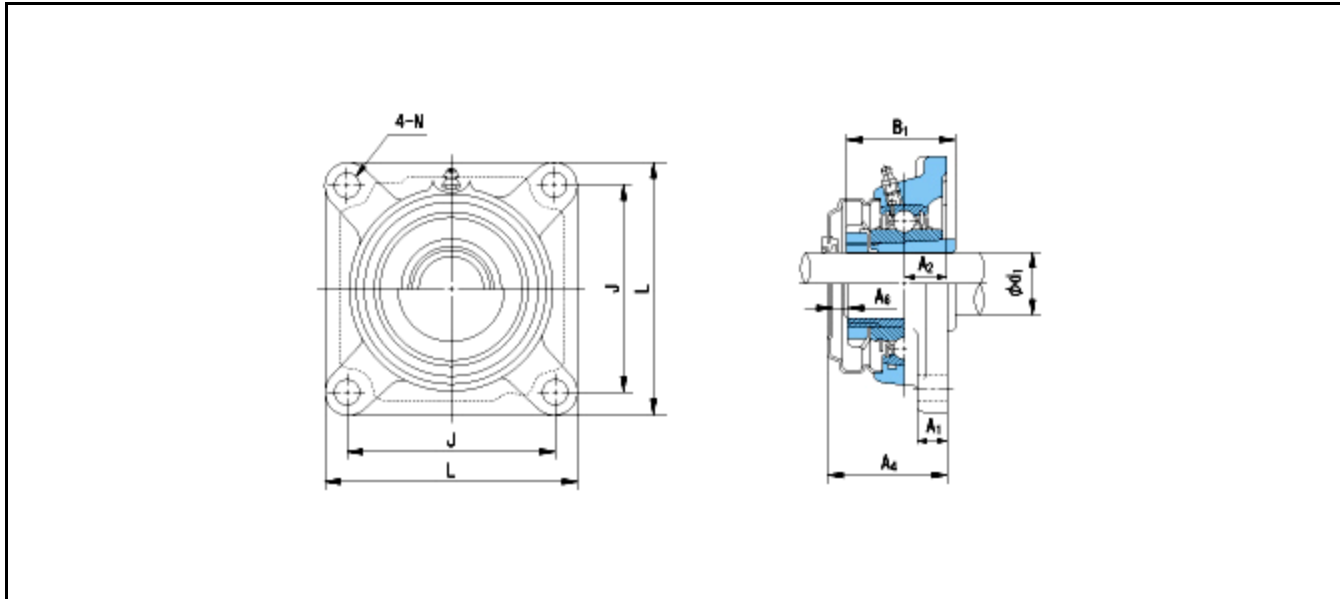
Bearing No. : **UKFX08C+H2308**

Dimensions

L = 137

J = 105

N = 19



Dimensions

d1 = 35

A1 = 14

A2 = 22

B1 = 46

A4 = 63

A6 = 15

Mass = 1.8 kg

Basic Dynamic Load Rating Cr :	33000 N				
Basic Static Load Rating Cor :	20500 N	O.D.Surface Runout with Side :			-
Limiting Speed ;		Axial Runout with Bore :			-
Grease Lubrication :	- rpm	Axial Runout with Raceway :			-
Oil Lubrication :	- rpm	Width Variation :			-
		Radial Runout :			-