

ROECO

Bearing Data

Ball Bearing Units

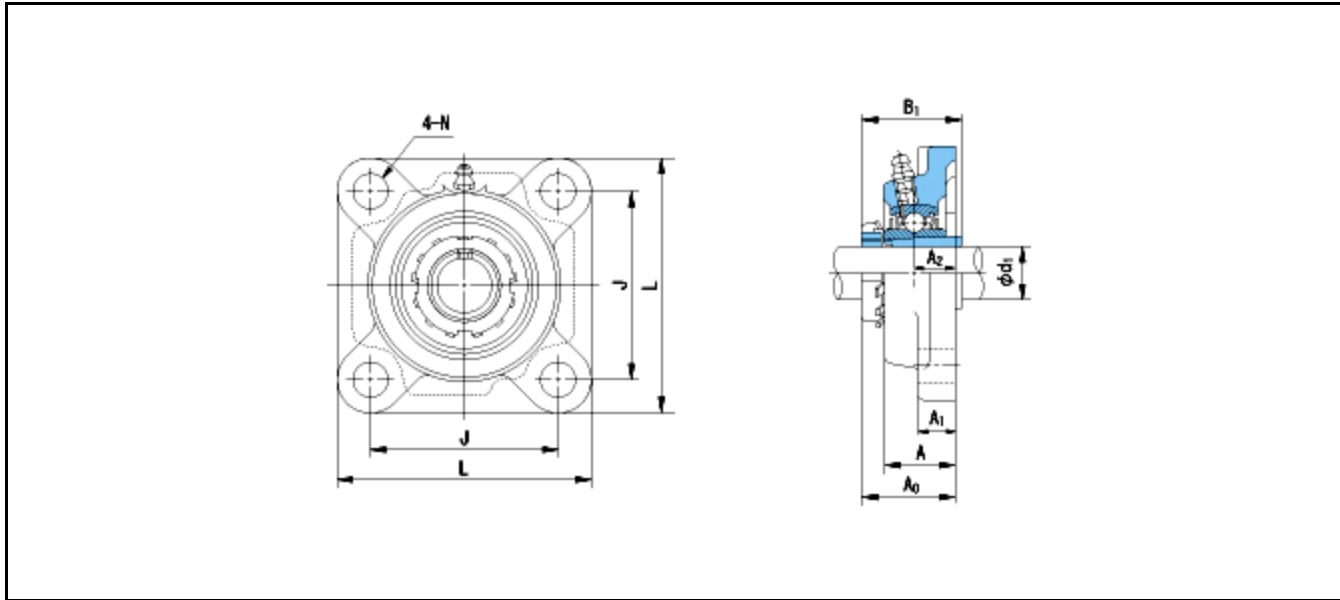
Bearing No. : **UKFX07+H2307**

Dimensions

L = 130

J = 102

N = 16



Dimensions

d1 = 30

A1 = 14

A2 = 21

B1 = 43

A = 38

A0 = 44.5

Mass = 1.8 kg

| | | | | | |
|--------------------------------|----------------|--------------------------------|--|--|---|
| Basic Dynamic Load Rating Cr : | 29300 N | | | | |
| Basic Static Load Rating Cor : | 17900 N | O.D.Surface Runout with Side : | | | - |
| Limiting Speed ; | | Axial Runout with Bore : | | | - |
| Grease Lubrication : | - rpm | Axial Runout with Raceway : | | | - |
| Oil Lubrication : | - rpm | Width Variation : | | | - |
| | | Radial Runout : | | | - |