

ROECO

# Bearing Data

## Ball Bearing Units

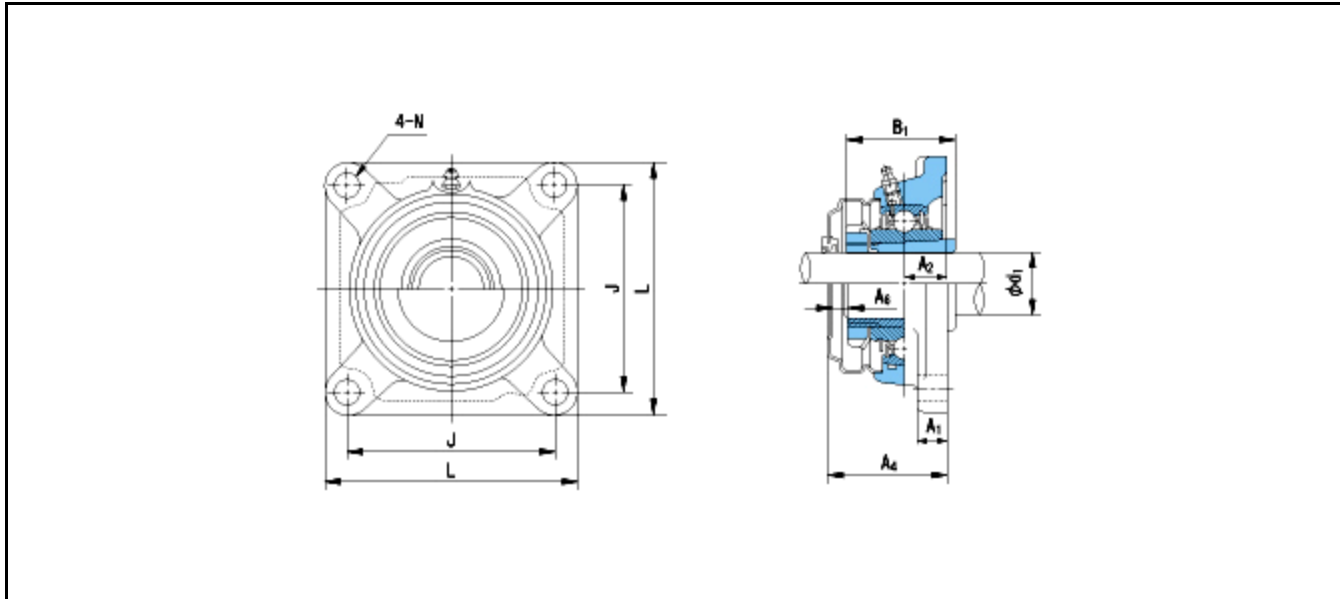
Bearing No. : **UKFX06E+H2306**

Dimensions

L = 117

J = 92

N = 16



Dimensions

d1 = 25

A1 = 14

A2 = 19

B1 = 38

A4 = 54

A6 = 12

Mass = 1.4 kg

Basic Dynamic Load Rating Cr :	<b>25900 N</b>				
Basic Static Load Rating Cor :	<b>15400 N</b>	O.D.Surface Runout with Side :			-
Limiting Speed ;		Axial Runout with Bore :			-
Grease Lubrication :	- rpm	Axial Runout with Raceway :			-
Oil Lubrication :	- rpm	Width Variation :			-
		Radial Runout :			-