

ROECO

# Bearing Data

## Ball Bearing Units

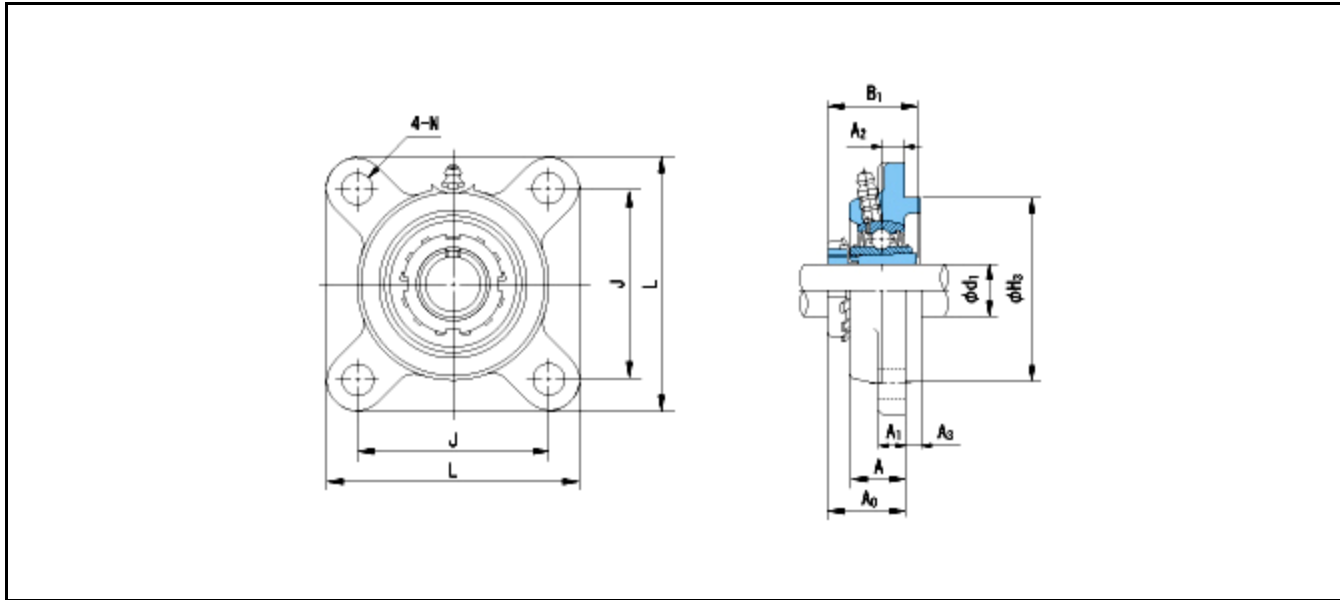
Bearing No. : **UKFS324+H2324**

Dimensions

L = 370

J = 290

N = 41



Dimensions

d1 = 110

A1 = 40

A2 = 35

B1 = 112

H3 = 330

A = 80

A0 = 100

Mass = 50.1 kg

Basic Dynamic Load Rating Cr : **207000 N**

Basic Static Load Rating Cor : **184800 N**

Limiting Speed ;

Grease Lubrication : - rpm

Oil Lubrication : - rpm

INNER RING OUTER RING

O.D.Surface Runout with Side : -

Axial Runout with Bore : -

Axial Runout with Raceway : -

Width Variation : -

Radial Runout : -