

ROECO

Bearing Data

Ball Bearing Units

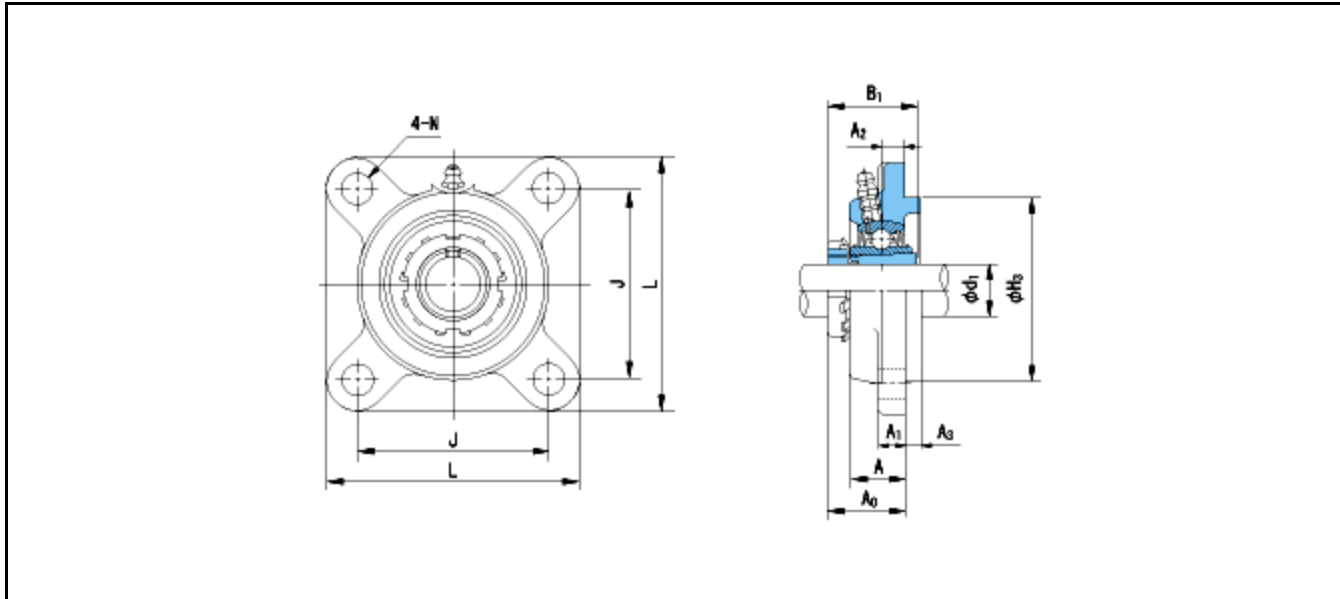
Bearing No. : **UKFS322+H2322**

Dimensions

L = 340

J = 266

N = 41



Dimensions

d1 = 100

A1 = 35

A2 = 35

B1 = 105

H3 = 300

A = 71

A0 = 96

Mass = 36.7 kg

Basic Dynamic Load Rating Cr :	205000 N				
Basic Static Load Rating Cor :	178800 N	O.D.Surface Runout with Side :			-
Limiting Speed ;		Axial Runout with Bore :			-
Grease Lubrication :	- rpm	Axial Runout with Raceway :			-
Oil Lubrication :	- rpm	Width Variation :			-
		Radial Runout :			-