

ROECO

Bearing Data

Ball Bearing Units

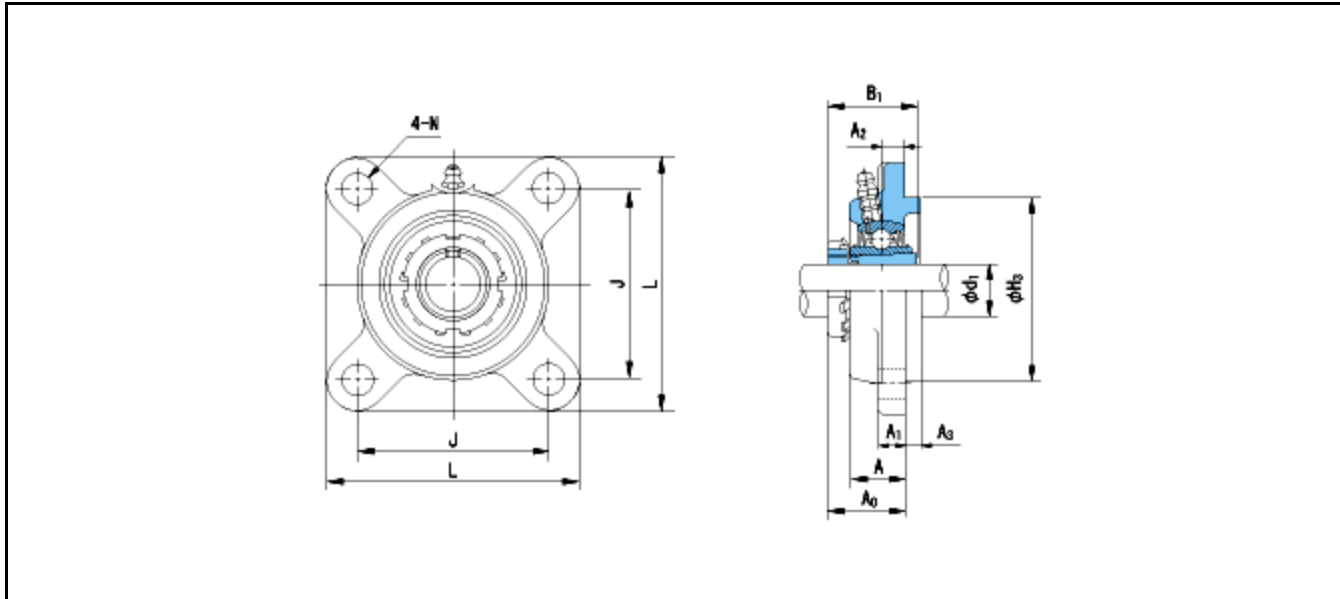
Bearing No. : **UKFS320+H2320**

Dimensions

L = 310

J = 242

N = 38



Dimensions

d1 = 90

A1 = 32

A2 = 39

B1 = 97

H3 = 260

A = 74

A0 = 95

Mass = 27.1 kg

Basic Dynamic Load Rating Cr : **173000 N**

Basic Static Load Rating Cor : **140400 N**

Limiting Speed ;

Grease Lubrication : - rpm

Oil Lubrication : - rpm

INNER RING OUTER RING

O.D.Surface Runout with Side : -

Axial Runout with Bore : -

Axial Runout with Raceway : -

Width Variation : -

Radial Runout : -