

ROECO

Bearing Data

Ball Bearing Units

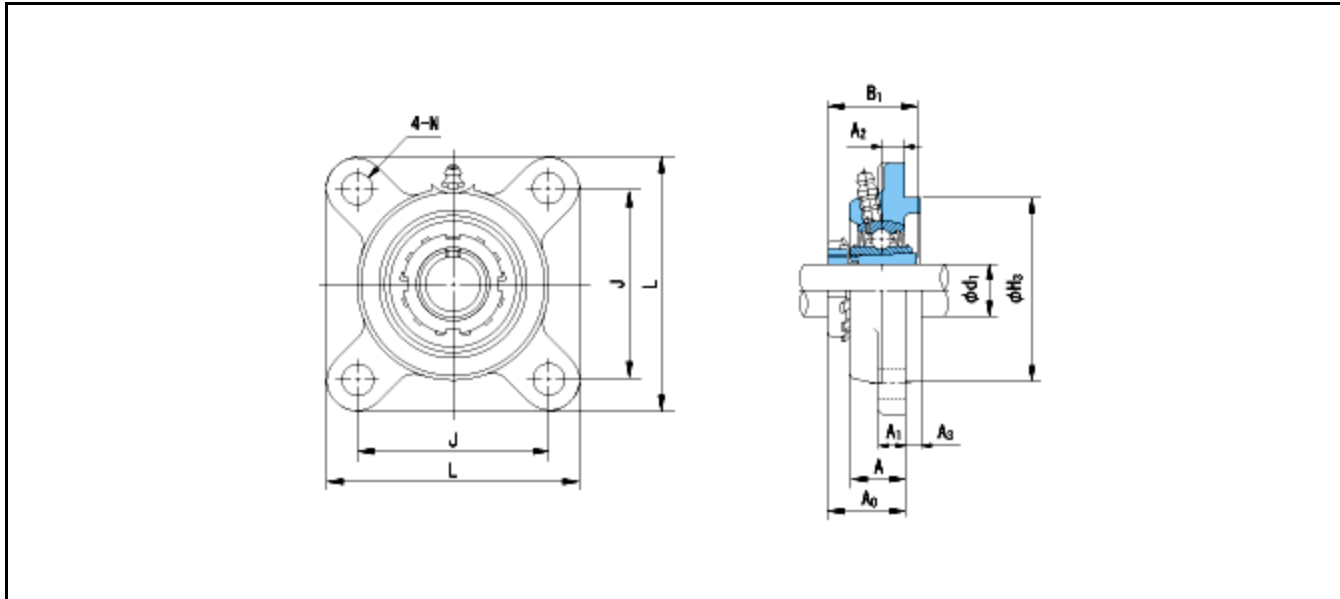
Bearing No. : **UKFS318+H2318**

Dimensions

L = 280

J = 216

N = 35



Dimensions

d1 = 80

A1 = 30

A2 = 24

B1 = 86

H3 = 240

A = 56

A0 = 73.5

Mass = 20.6 kg

Basic Dynamic Load Rating Cr : **143000 N**

Basic Static Load Rating Cor : **107200 N**

Limiting Speed ;

Grease Lubrication : - rpm

Oil Lubrication : - rpm

INNER RING OUTER RING

O.D.Surface Runout with Side : -

Axial Runout with Bore : -

Axial Runout with Raceway : -

Width Variation : -

Radial Runout : -