

ROECO

# Bearing Data

## Ball Bearing Units

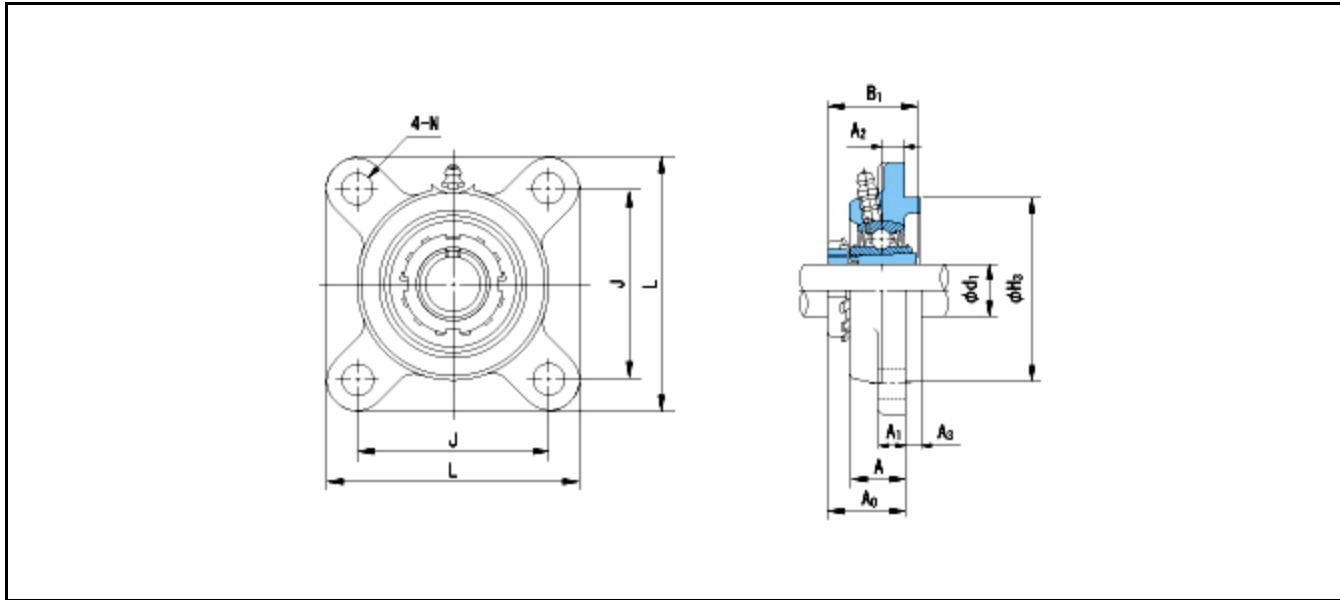
Bearing No. : **UKFS317+H2317**

Dimensions

L = 260

J = 204

N = 31



Dimensions

d1 = 75

A1 = 27

A2 = 24

B1 = 82

H3 = 220

A = 54

A0 = 72

Mass = 17.2 kg

Basic Dynamic Load Rating Cr :	<b>132000 N</b>				
Basic Static Load Rating Cor :	<b>96500 N</b>	O.D.Surface Runout with Side :			-
Limiting Speed ;		Axial Runout with Bore :			-
Grease Lubrication :	- rpm	Axial Runout with Raceway :			-
Oil Lubrication :	- rpm	Width Variation :			-
		Radial Runout :			-