

ROECO

# Bearing Data

## Ball Bearing Units

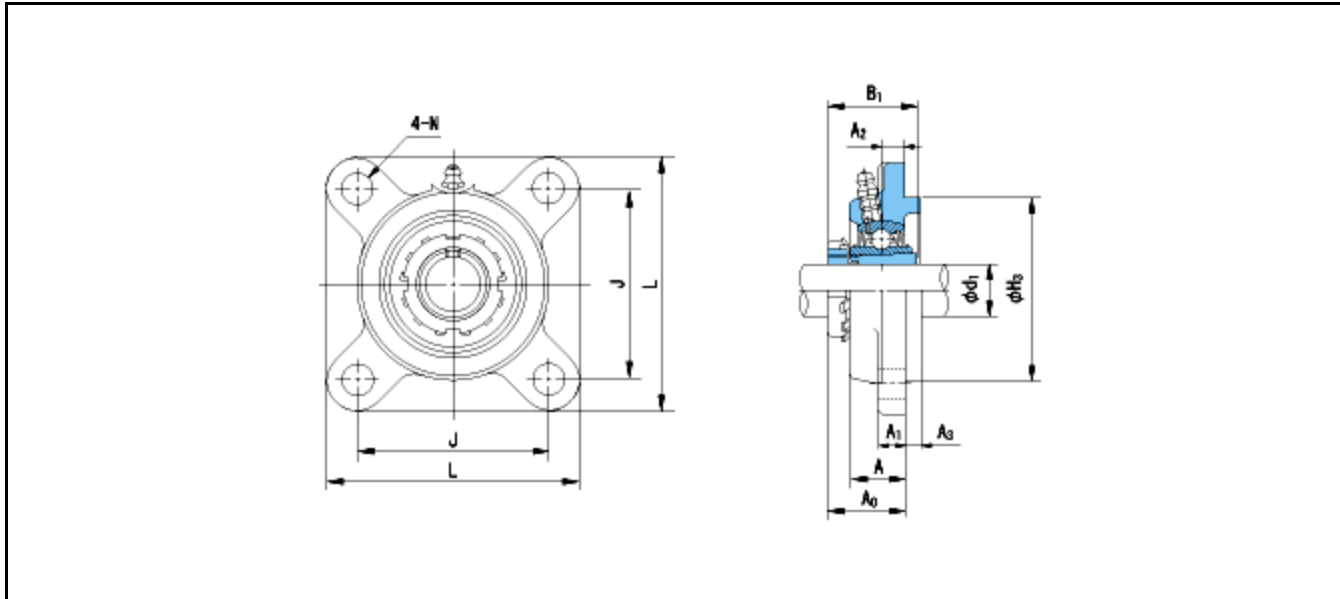
Bearing No. : **UKFS309+H2309**

Dimensions

L = 160

J = 125

N = 19



Dimensions

d1 = 40

A1 = 18

A2 = 14

B1 = 50

H3 = 125

A = 33

A0 = 43.5

Mass = 4 kg

Basic Dynamic Load Rating Cr : **51500 N**

Basic Static Load Rating Cor : **29500 N**

Limiting Speed ;

Grease Lubrication : - rpm

Oil Lubrication : - rpm

**INNER RING OUTER RING**

O.D.Surface Runout with Side : -

Axial Runout with Bore : -

Axial Runout with Raceway : -

Width Variation : -

Radial Runout : -