

ROECO

Bearing Data

Ball Bearing Units

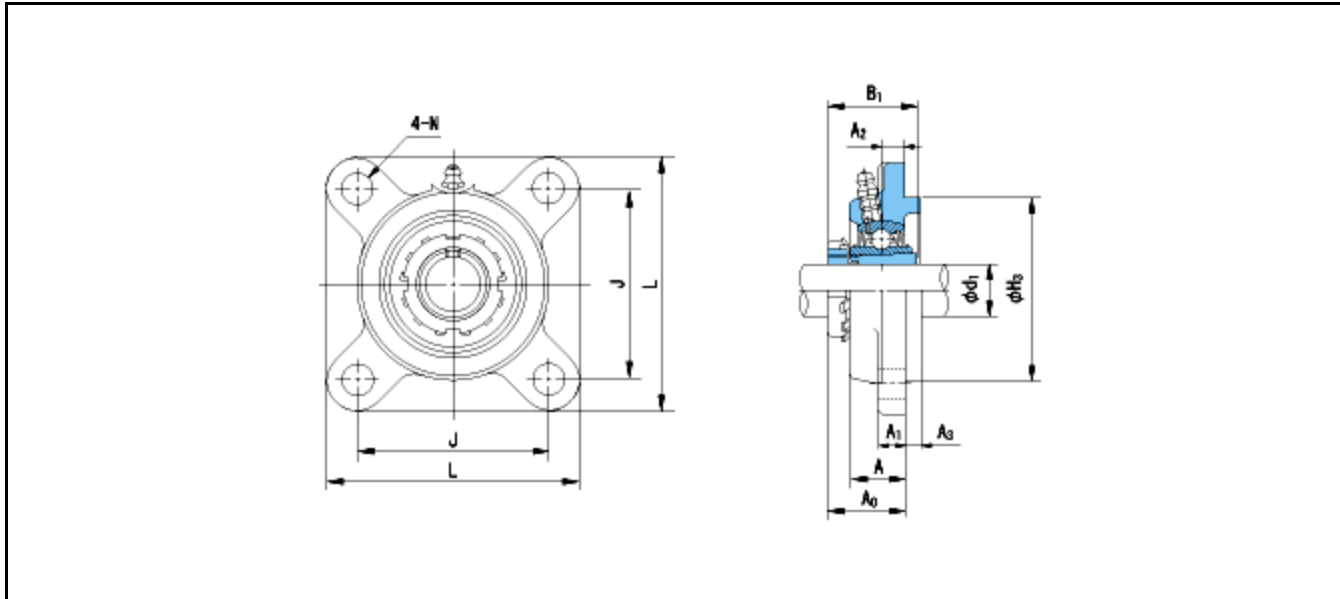
Bearing No. : **UKFS306+H2306**

Dimensions

L = 125

J = 95

N = 16



Dimensions

d1 = 25

A1 = 15

A2 = 10

B1 = 38

H3 = 90

A = 24

A0 = 32.5

Mass = 1.9 kg

Basic Dynamic Load Rating Cr :	26800 N				
Basic Static Load Rating Cor :	15000 N	O.D.Surface Runout with Side :			-
Limiting Speed ;		Axial Runout with Bore :			-
Grease Lubrication :	- rpm	Axial Runout with Raceway :			-
Oil Lubrication :	- rpm	Width Variation :			-
		Radial Runout :			-