

ROECO

# Bearing Data

## Ball Bearing Units

Bearing No. : **UKFLX08C+H2308**

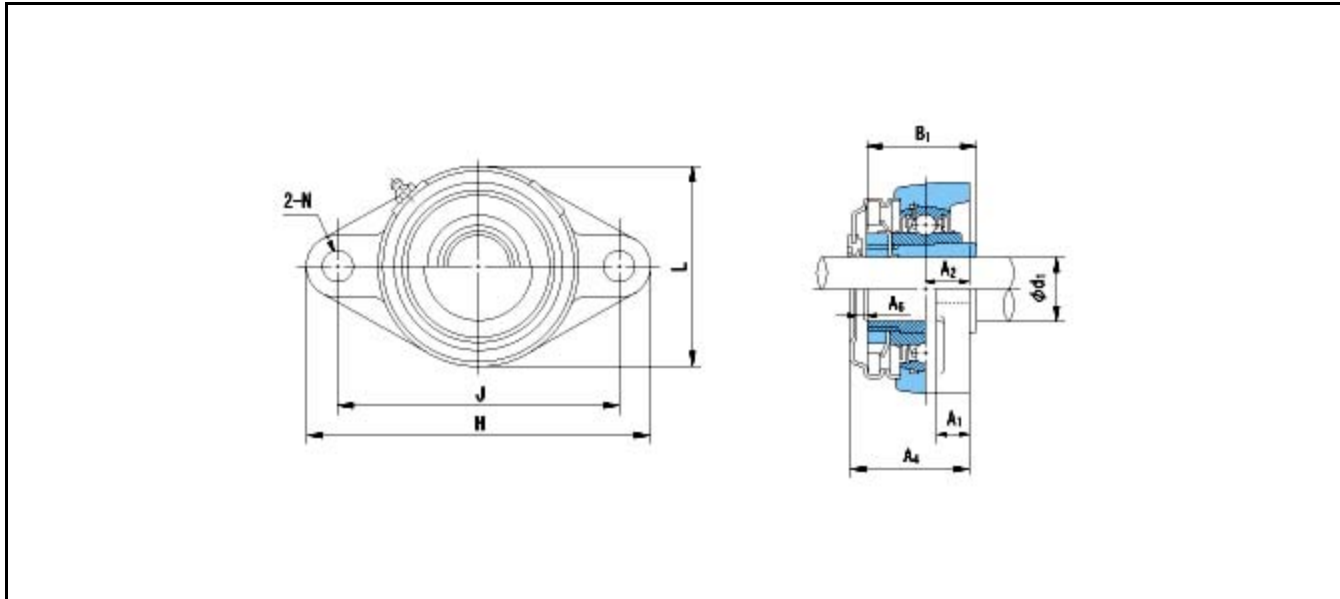
Dimensions

H = 179

L = 111

J = 148

N = 16



Dimensions

d1 = 35

A1 = 14

A2 = 22

A4 = 63

A6 = 15

B1 = 46

Mass = 2.1 kg

Basic Dynamic Load Rating Cr :	<b>33000 N</b>				
Basic Static Load Rating Cor :	<b>20500 N</b>	O.D.Surface Runout with Side :			-
Limiting Speed ;		Axial Runout with Bore :			-
Grease Lubrication :	- rpm	Axial Runout with Raceway :			-
Oil Lubrication :	- rpm	Width Variation :			-
		Radial Runout :			-