

ROECO

# Bearing Data

## Ball Bearing Units

Bearing No. : **UKFLX05+H2305**

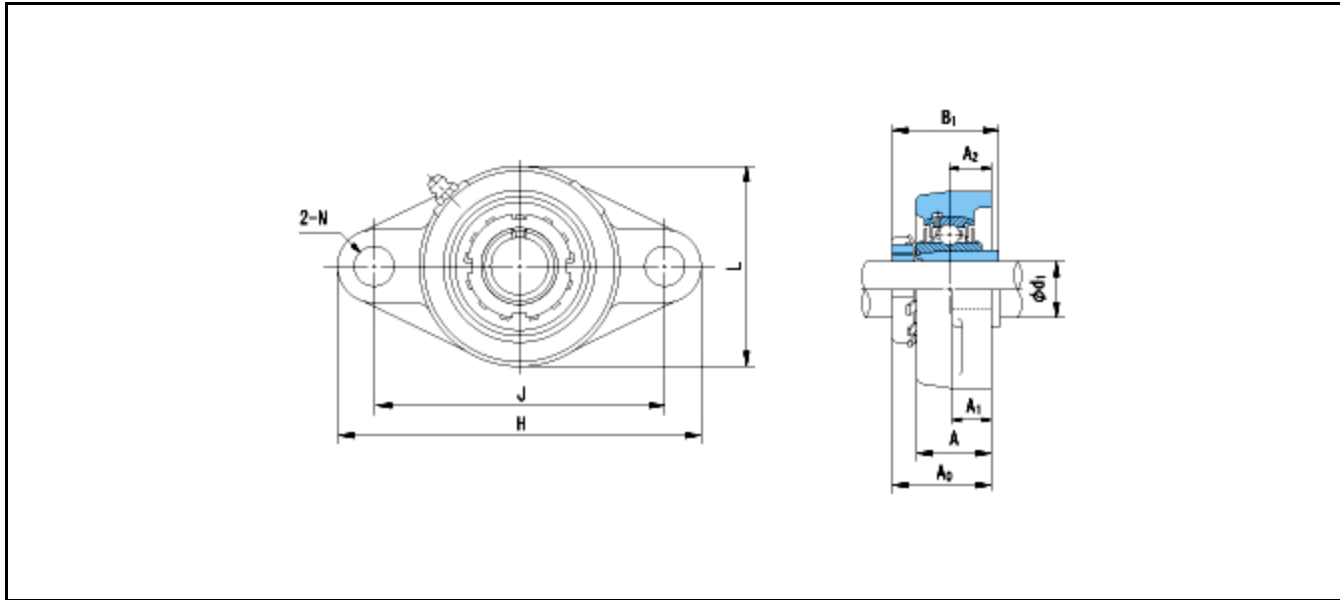
Dimensions

H = 141

L = 83

J = 117

N = 12



Dimensions

d1 = 20

A1 = 13

A2 = 18

A = 30

A0 = 39

B1 = 35

Mass = 1 kg

Basic Dynamic Load Rating Cr :	<b>19600 N</b>	INNER RING	OUTER RING
Basic Static Load Rating Cor :	<b>11300 N</b>	O.D.Surface Runout with Side :	-
Limiting Speed ;		Axial Runout with Bore :	-
Grease Lubrication :	- rpm	Axial Runout with Raceway :	-
Oil Lubrication :	- rpm	Width Variation :	-
		Radial Runout :	-