

ROECO

Bearing Data

Ball Bearing Units

Bearing No. : **UKFL322+H2322**

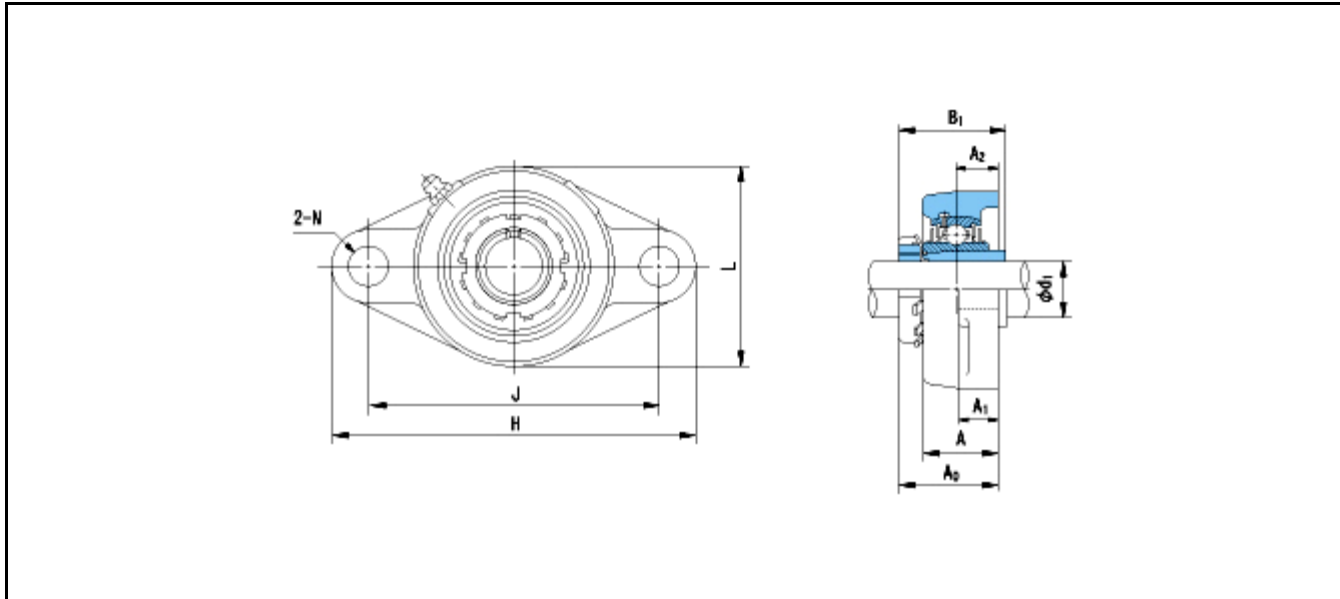
Dimensions

H = 470

L = 300

J = 390

N = 44



Dimensions

d1 = 100

A1 = 42

A2 = 60

A = 96

A0 = 121

B1 = 105

Mass = 33.2 kg

Basic Dynamic Load Rating Cr : **205000 N**

Basic Static Load Rating Cor : **178800 N**

Limiting Speed ;

Grease Lubrication : - rpm

Oil Lubrication : - rpm

INNER RING OUTER RING

O.D.Surface Runout with Side : -

Axial Runout with Bore : -

Axial Runout with Raceway : -

Width Variation : -

Radial Runout : -