

ROECO

# Bearing Data

## Ball Bearing Units

Bearing No. : **UKFL320+H2320**

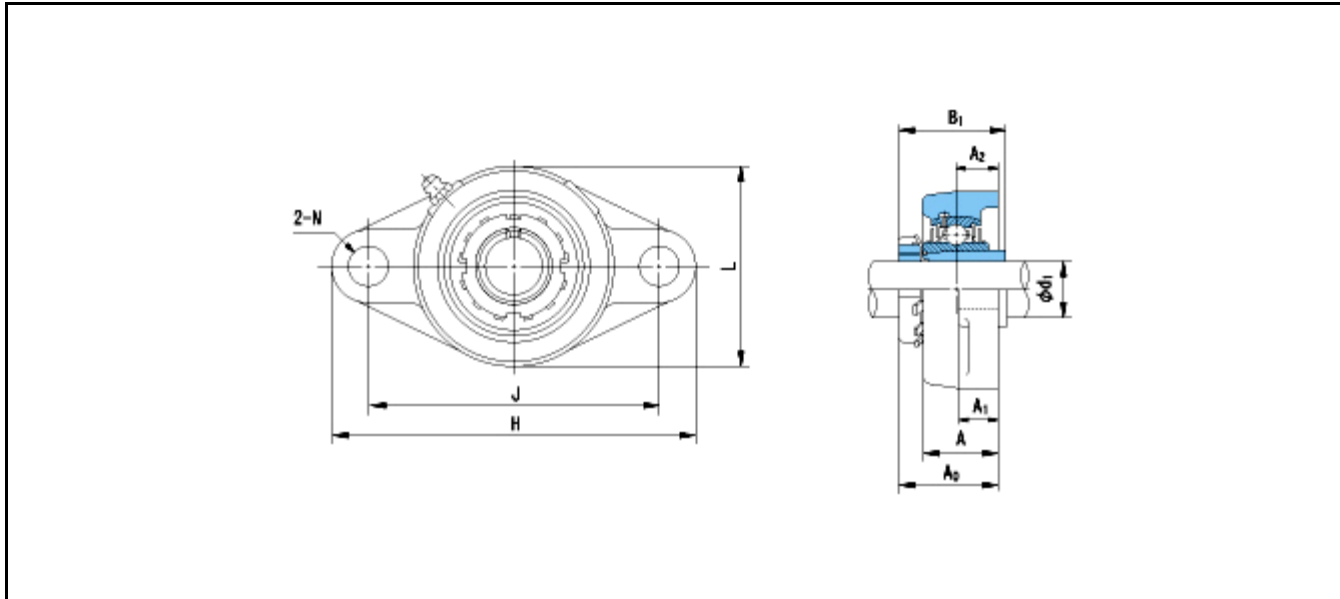
Dimensions

H = 440

L = 270

J = 360

N = 44



Dimensions

d1 = 90

A1 = 40

A2 = 59

A = 94

A0 = 115

B1 = 97

Mass = 26.5 kg

Basic Dynamic Load Rating Cr :	<b>173000 N</b>		<b>INNER RING</b>	<b>OUTER RING</b>
Basic Static Load Rating Cor :	<b>140400 N</b>	O.D.Surface Runout with Side :	-	-
Limiting Speed ;		Axial Runout with Bore :	-	-
Grease Lubrication :	- rpm	Axial Runout with Raceway :	-	-
Oil Lubrication :	- rpm	Width Variation :	-	-
		Radial Runout :	-	-