

ROECO

Bearing Data

Ball Bearing Units

Bearing No. : **UKFL318+H2318**

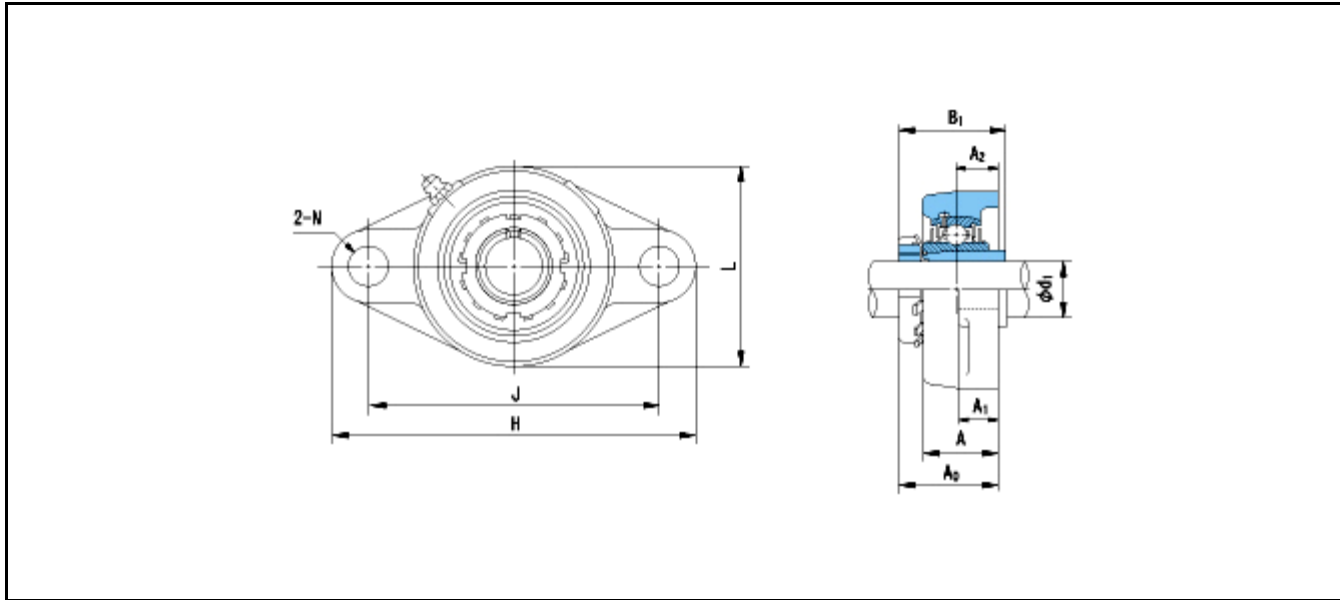
Dimensions

H = 385

L = 235

J = 315

N = 38



Dimensions

d1 = 80

A1 = 36

A2 = 44

A = 76

A0 = 93.5

B1 = 86

Mass = 17.2 kg

Basic Dynamic Load Rating Cr : **143000 N**

Basic Static Load Rating Cor : **107200 N**

Limiting Speed ;

Grease Lubrication : - rpm

Oil Lubrication : - rpm

INNER RING OUTER RING

O.D.Surface Runout with Side : -

Axial Runout with Bore : -

Axial Runout with Raceway : -

Width Variation : -

Radial Runout : -