

ROECO

# Bearing Data

## Ball Bearing Units

Bearing No. : **UKFL316+H2316**

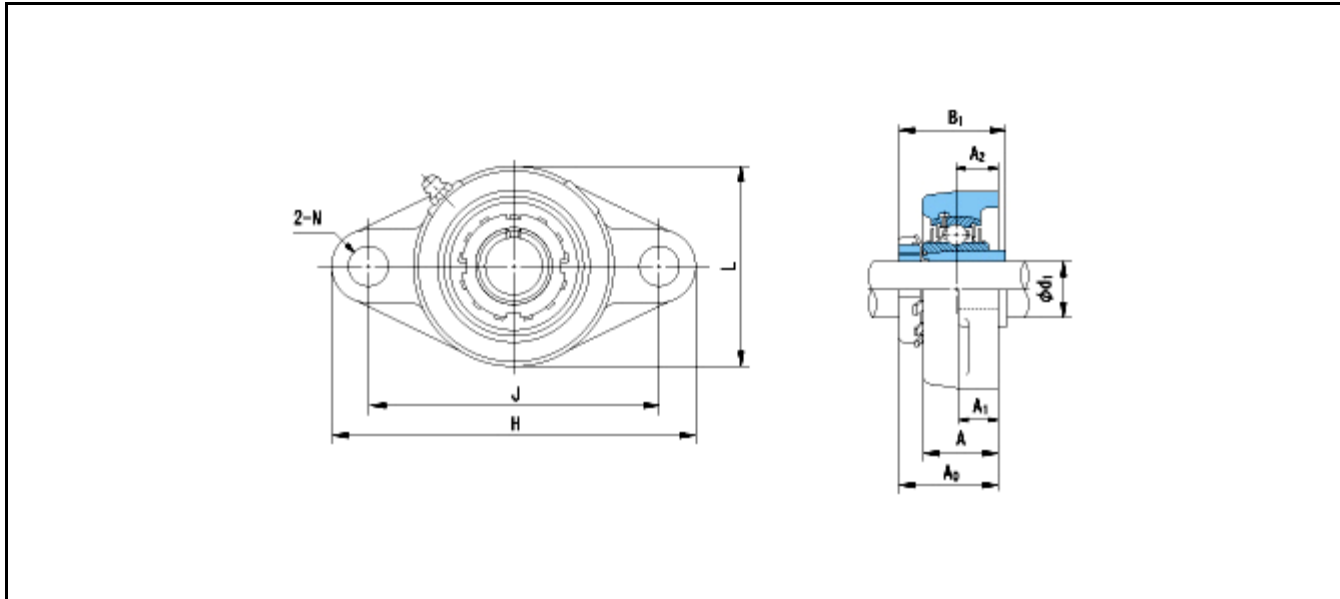
Dimensions

H = 355

L = 210

J = 285

N = 38



Dimensions

d1 = 70

A1 = 32

A2 = 38

A = 68

A0 = 83.5

B1 = 78

Mass = 12.8 kg

Basic Dynamic Load Rating Cr : **123000 N**

Basic Static Load Rating Cor : **86400 N**

Limiting Speed ;

Grease Lubrication : - rpm

Oil Lubrication : - rpm

**INNER RING OUTER RING**

O.D.Surface Runout with Side : -

Axial Runout with Bore : -

Axial Runout with Raceway : -

Width Variation : -

Radial Runout : -