

ROECO

Bearing Data

Ball Bearing Units

Bearing No. : **UKFL309+H2309**

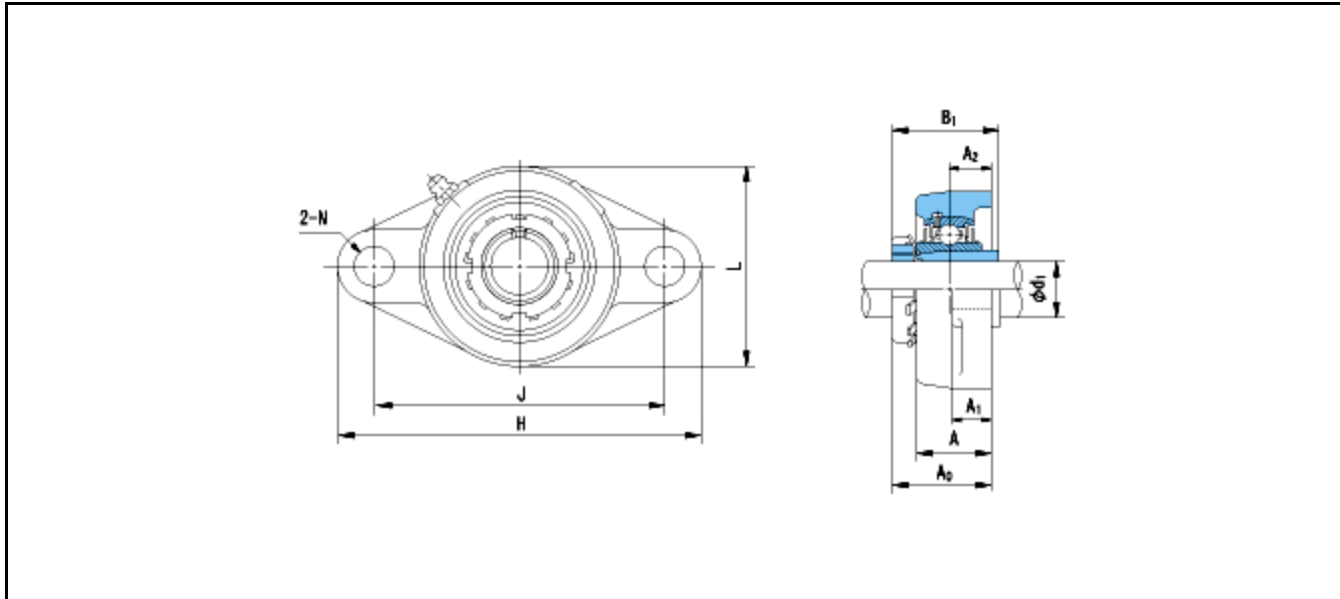
Dimensions

H = 230

L = 125

J = 177

N = 25



Dimensions

d1 = 40

A1 = 18

A2 = 25

A = 44

A0 = 54.5

B1 = 50

Mass = 3.4 kg

| | | | |
|--------------------------------|----------------|--------------------------------|------------|
| Basic Dynamic Load Rating Cr : | 51500 N | INNER RING | OUTER RING |
| Basic Static Load Rating Cor : | 29500 N | O.D.Surface Runout with Side : | - |
| Limiting Speed ; | | Axial Runout with Bore : | - |
| Grease Lubrication : | - rpm | Axial Runout with Raceway : | - |
| Oil Lubrication : | - rpm | Width Variation : | - |
| | | Radial Runout : | - |