

ROECO

Bearing Data

Ball Bearing Units

Bearing No. : **UKFL218+H2318**

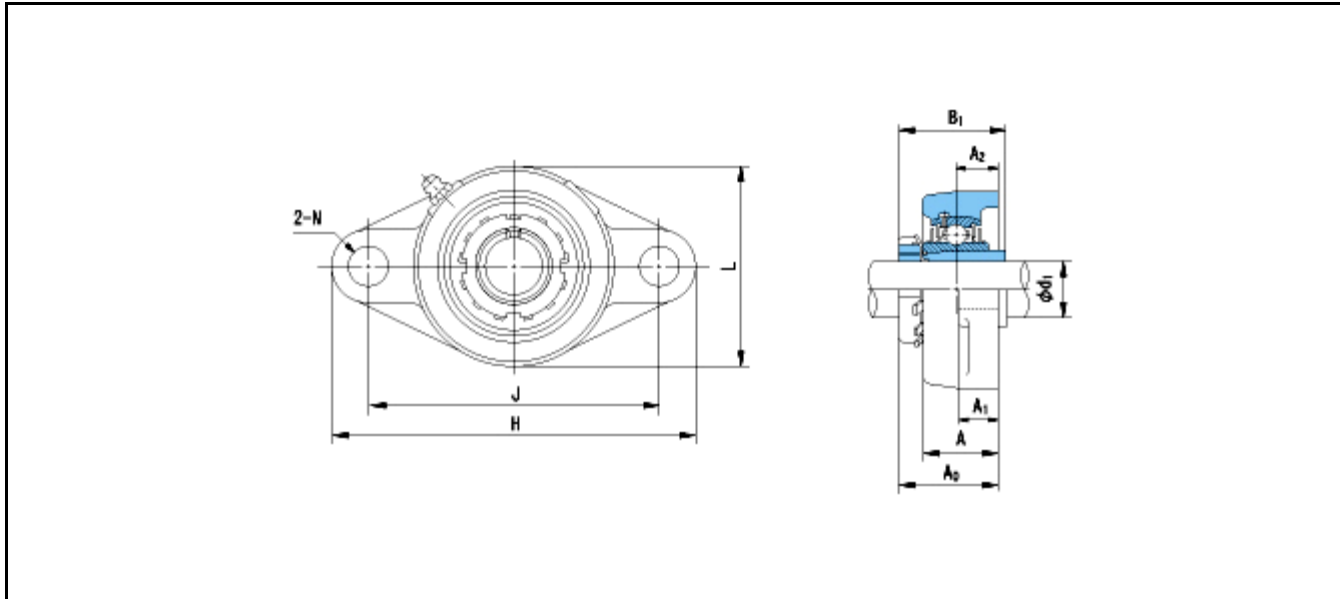
Dimensions

H = 320

L = 205

J = 265

N = 25



Dimensions

d1 = 80

A1 = 26

A2 = 40

A = 68

A0 = 82.5

B1 = 86

Mass = 12.3 kg

Basic Dynamic Load Rating Cr :	95500 N	INNER RING	OUTER RING
Basic Static Load Rating Cor :	71400 N	O.D.Surface Runout with Side :	-
Limiting Speed ;		Axial Runout with Bore :	-
Grease Lubrication :	- rpm	Axial Runout with Raceway :	-
Oil Lubrication :	- rpm	Width Variation :	-
		Radial Runout :	-