

ROECO

Bearing Data

Ball Bearing Units

Bearing No. : **UKFL217+H2317**

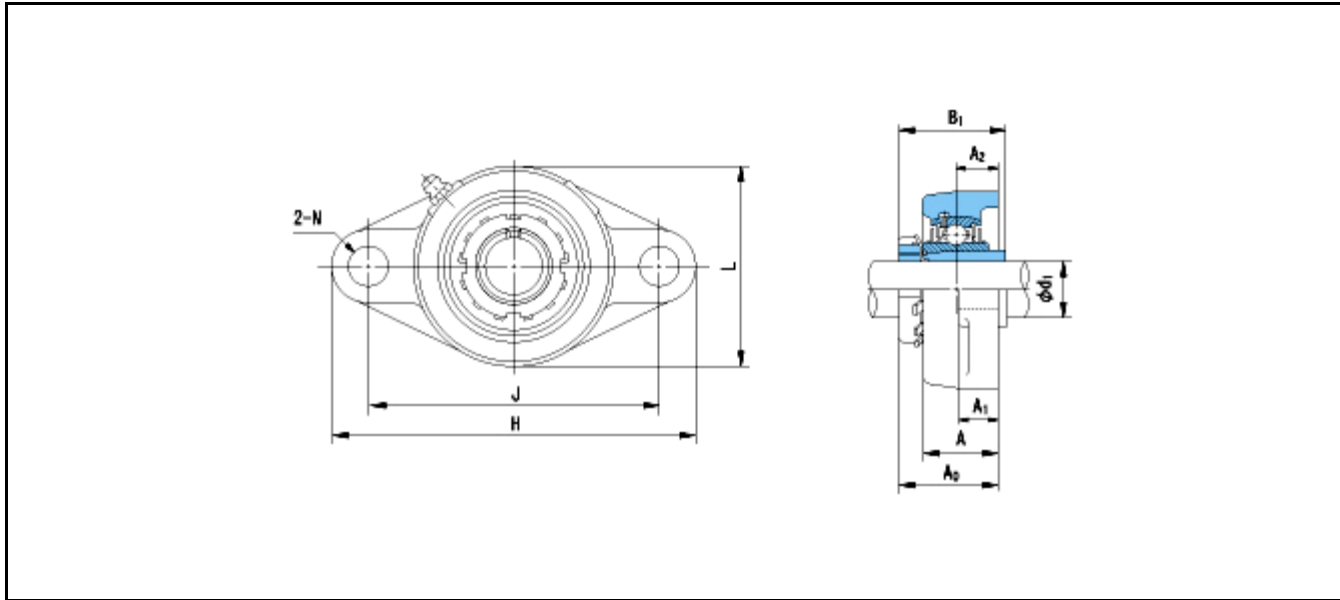
Dimensions

H = 305

L = 190

J = 248

N = 25



Dimensions

d1 = 75

A1 = 26

A2 = 36

A = 63

A0 = 77

B1 = 82

Mass = 10 kg

Basic Dynamic Load Rating Cr :	83500 N	INNER RING	OUTER RING
Basic Static Load Rating Cor :	61800 N	O.D.Surface Runout with Side :	-
Limiting Speed ;		Axial Runout with Bore :	-
Grease Lubrication :	- rpm	Axial Runout with Raceway :	-
Oil Lubrication :	- rpm	Width Variation :	-
		Radial Runout :	-