

ROECO

Bearing Data

Ball Bearing Units

Bearing No. : **UKFL213+H2313**

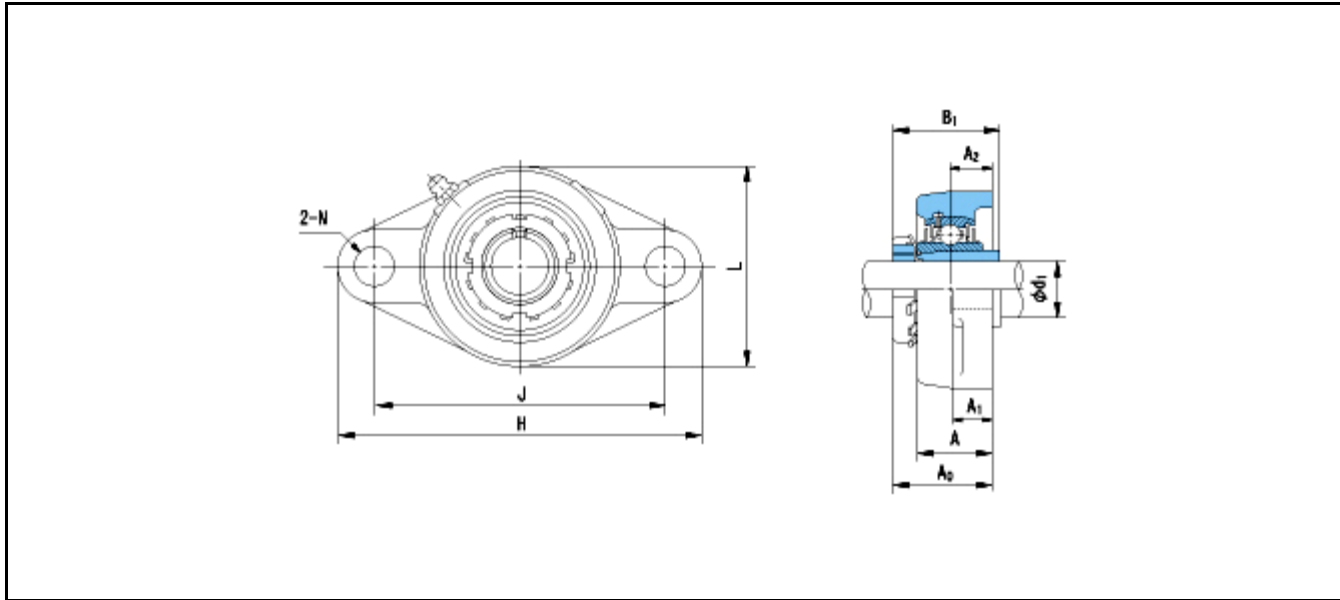
Dimensions

H = 258

L = 155

J = 210

N = 23



Dimensions

d1 = 60

A1 = 24

A2 = 30

A = 50

A0 = 63

B1 = 65

Mass = 5.2 kg

Basic Dynamic Load Rating Cr :	57500 N	INNER RING	OUTER RING
Basic Static Load Rating Cor :	40000 N	O.D.Surface Runout with Side :	-
Limiting Speed ;		Axial Runout with Bore :	-
Grease Lubrication :	- rpm	Axial Runout with Raceway :	-
Oil Lubrication :	- rpm	Width Variation :	-
		Radial Runout :	-