

ROECO

Bearing Data

Ball Bearing Units

Bearing No. : **UKFL212E+H2312**

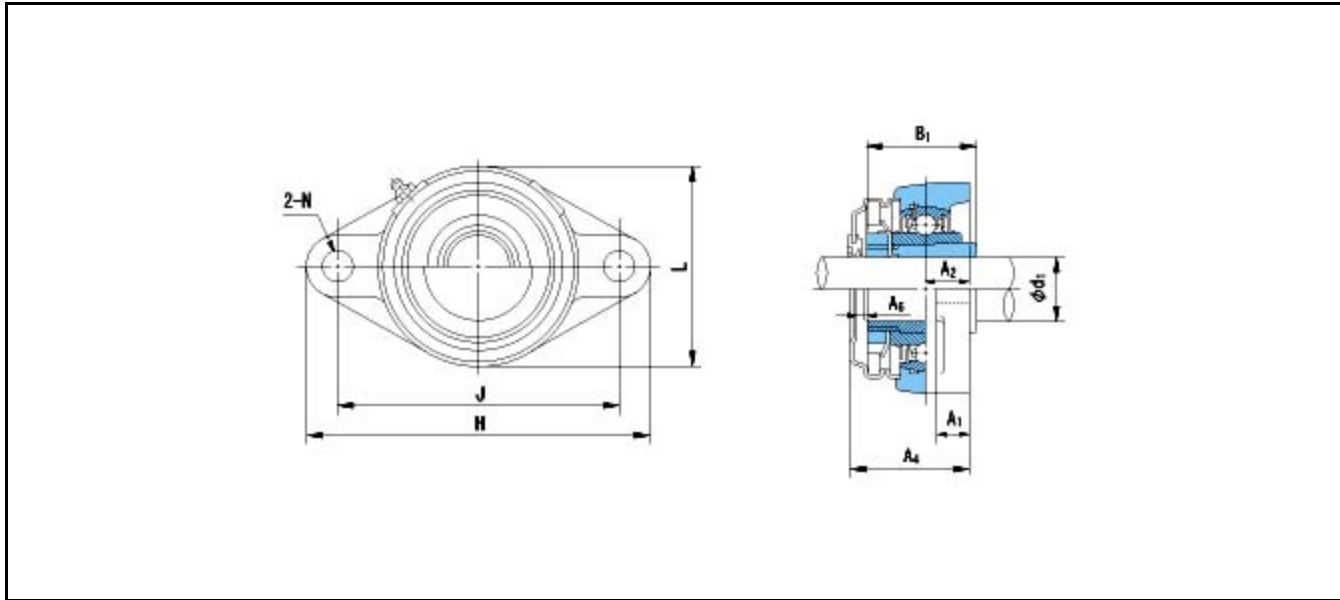
Dimensions

H = 250

L = 140

J = 202

N = 23



Dimensions

d1 = 55

A1 = 20

A2 = 29

A4 = 80

A6 = 19

B1 = 62

Mass = 4.4 kg

Basic Dynamic Load Rating Cr :	52500 N		INNER RING	OUTER RING
Basic Static Load Rating Cor :	36100 N	O.D.Surface Runout with Side :		-
Limiting Speed ;		Axial Runout with Bore :	-	-
Grease Lubrication :	- rpm	Axial Runout with Raceway :	-	-
Oil Lubrication :	- rpm	Width Variation :	-	-
		Radial Runout :	-	-