

ROECO

# Bearing Data

## Ball Bearing Units

Bearing No. : **UKFL211C+H2311**

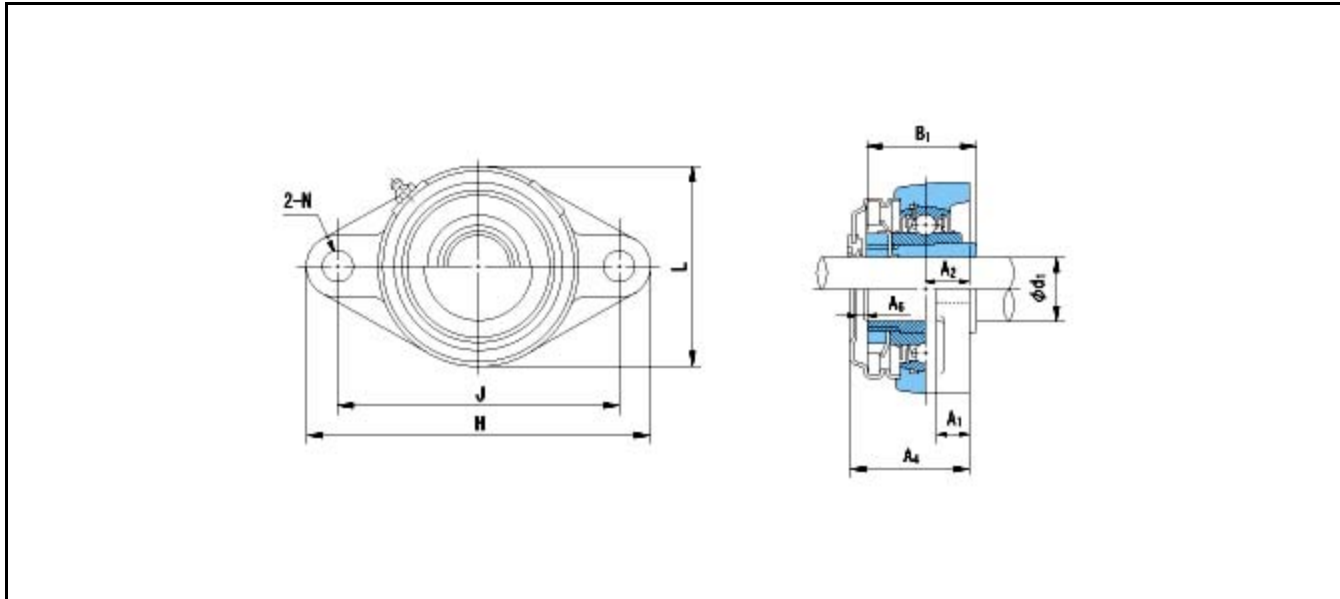
Dimensions

H = 224

L = 130

J = 184

N = 19



Dimensions

d1 = 50

A1 = 20

A2 = 25

A4 = 69

A6 = 14

B1 = 59

Mass = 3.5 kg

Basic Dynamic Load Rating Cr :	<b>43000 N</b>			
Basic Static Load Rating Cor :	<b>29400 N</b>	O.D.Surface Runout with Side :		-
Limiting Speed ;		Axial Runout with Bore :	-	
Grease Lubrication :	- rpm	Axial Runout with Raceway :	-	-
Oil Lubrication :	- rpm	Width Variation :	-	-
		Radial Runout :	-	-