

ROECO

Bearing Data

Ball Bearing Units

Bearing No. : **UKFL209C+H2309**

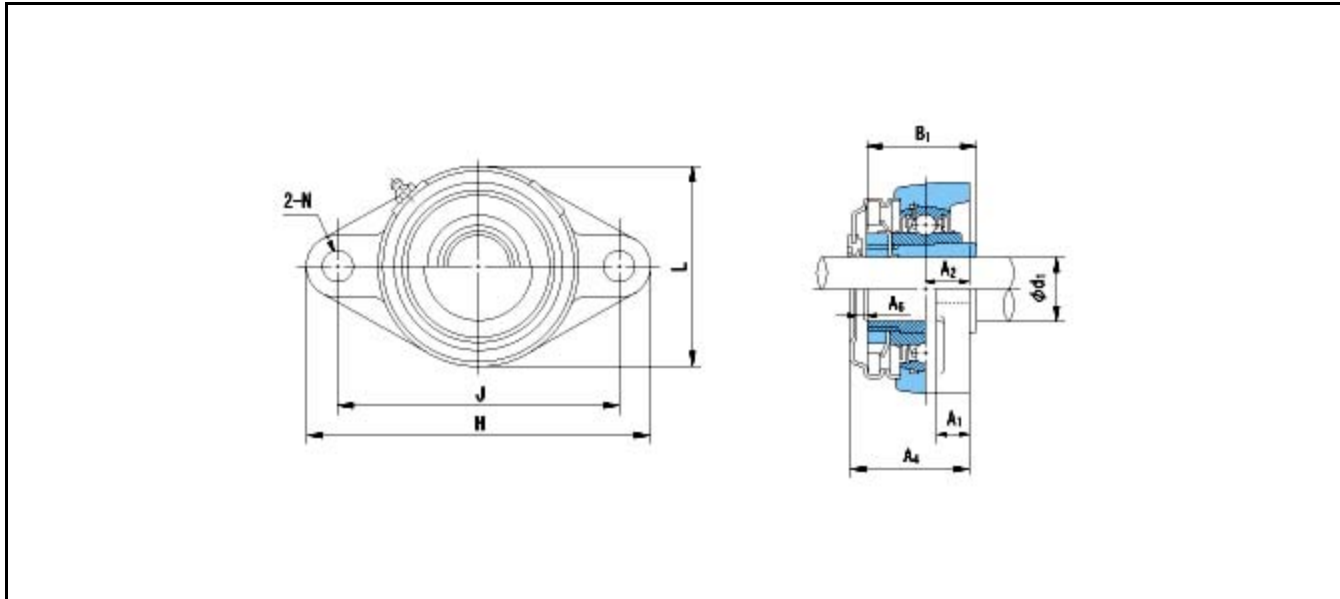
Dimensions

H = 188

L = 108

J = 148

N = 19



Dimensions

d1 = 40

A1 = 18

A2 = 22

A4 = 63

A6 = 14

B1 = 50

Mass = 2.1 kg

Basic Dynamic Load Rating Cr :	33000 N				
Basic Static Load Rating Cor :	20500 N	O.D.Surface Runout with Side :			-
Limiting Speed ;		Axial Runout with Bore :			-
Grease Lubrication :	- rpm	Axial Runout with Raceway :			-
Oil Lubrication :	- rpm	Width Variation :			-
		Radial Runout :			-