

ROECO

Bearing Data

Ball Bearing Units

Bearing No. : **UKFL208C+H2308**

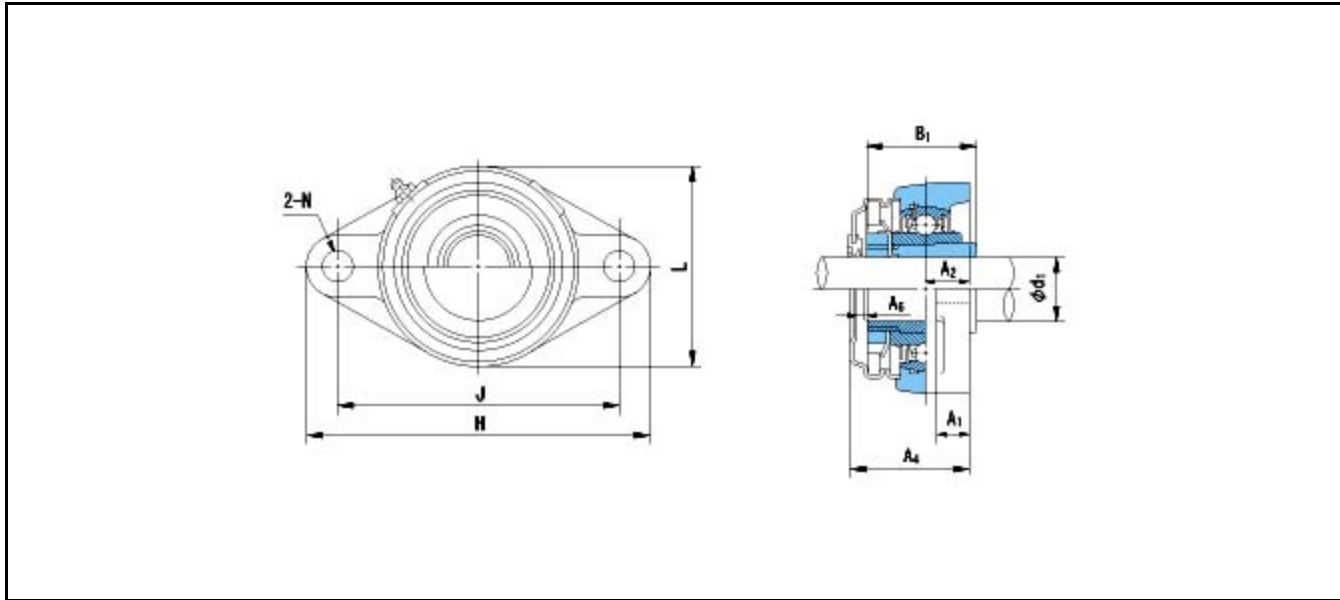
Dimensions

H = 175

L = 100

J = 144

N = 16



Dimensions

d1 = 35

A1 = 16

A2 = 21

A4 = 61

A6 = 14

B1 = 46

Mass = 1.8 kg

| | | | |
|--------------------------------|---------|--------------------------------|------------|
| Basic Dynamic Load Rating Cr : | 29300 N | INNER RING | OUTER RING |
| Basic Static Load Rating Cor : | 17900 N | O.D.Surface Runout with Side : | - |
| Limiting Speed ; | | Axial Runout with Bore : | - |
| Grease Lubrication : | - rpm | Axial Runout with Raceway : | - |
| Oil Lubrication : | - rpm | Width Variation : | - |
| | | Radial Runout : | - |