

ROECO

# Bearing Data

## Ball Bearing Units

Bearing No. : **UKFL208+H2308**

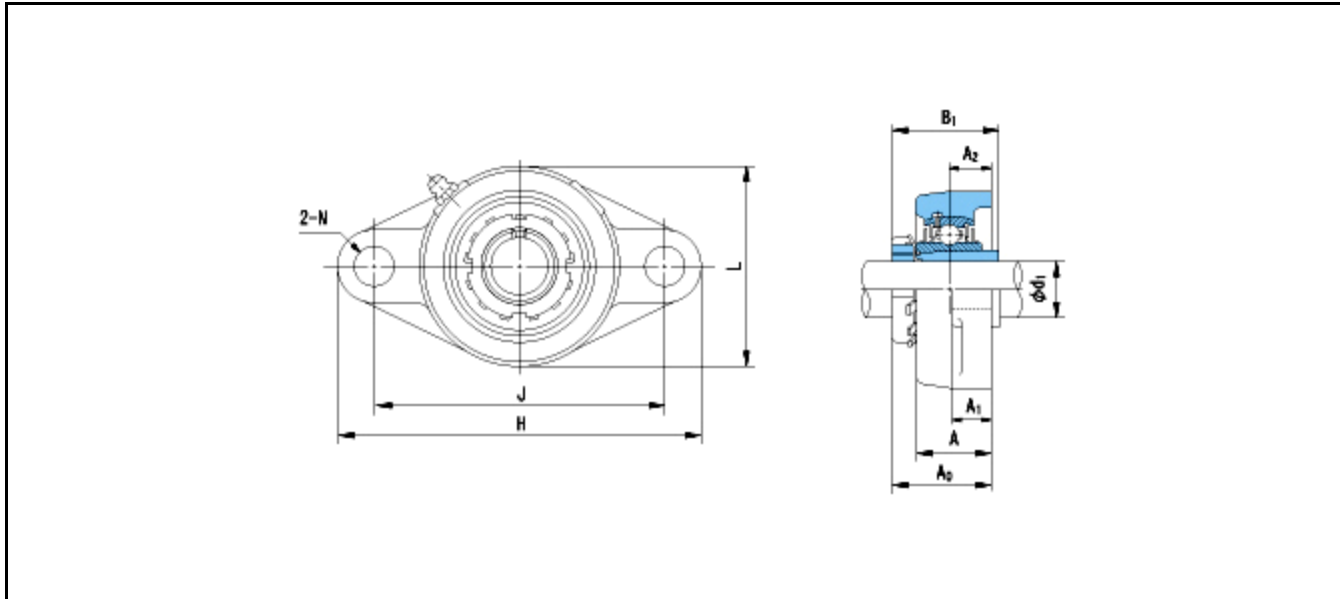
Dimensions

H = 175

L = 100

J = 144

N = 16



Dimensions

d1 = 35

A1 = 16

A2 = 21

A = 36

A0 = 45.5

B1 = 46

Mass = 1.7 kg

|                                |                |                                |   |
|--------------------------------|----------------|--------------------------------|---|
| Basic Dynamic Load Rating Cr : | <b>29300 N</b> |                                |   |
| Basic Static Load Rating Cor : | <b>17900 N</b> | O.D.Surface Runout with Side : | - |
| Limiting Speed ;               |                | Axial Runout with Bore :       | - |
| Grease Lubrication :           | - rpm          | Axial Runout with Raceway :    | - |
| Oil Lubrication :              | - rpm          | Width Variation :              | - |
|                                |                | Radial Runout :                | - |