

ROECO

Bearing Data

Ball Bearing Units

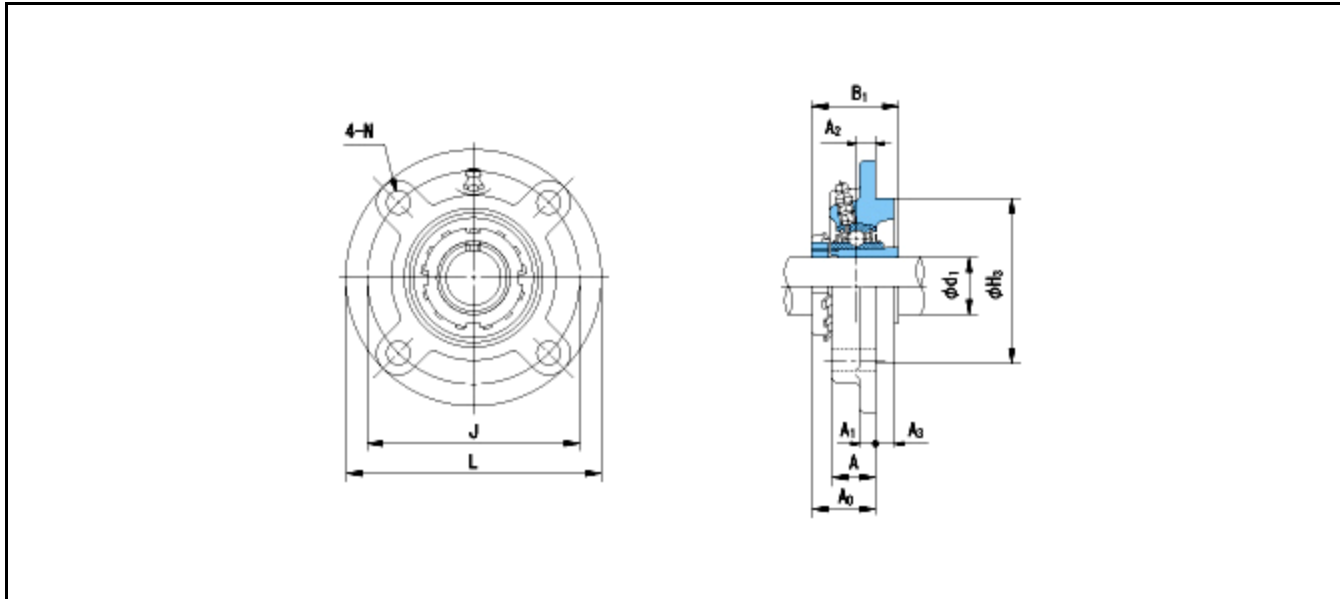
Bearing No. : **UKFCX18+H2318**

Dimensions

L = 260

J = 219

N = 23



Dimensions

d1 = 80

A = 43

A1 = 19

A2 = 12

A3 = 28

H3 = 186

B1 = 86

A0 = 56

Mass = 11 kg

Basic Dynamic Load Rating Cr :	109000 N		
Basic Static Load Rating Cor :	81600 N	O.D.Surface Runout with Side :	-
Limiting Speed ;		Axial Runout with Bore :	-
Grease Lubrication :	- rpm	Axial Runout with Raceway :	-
Oil Lubrication :	- rpm	Width Variation :	-
		Radial Runout :	-