

ROECO

Bearing Data

Ball Bearing Units

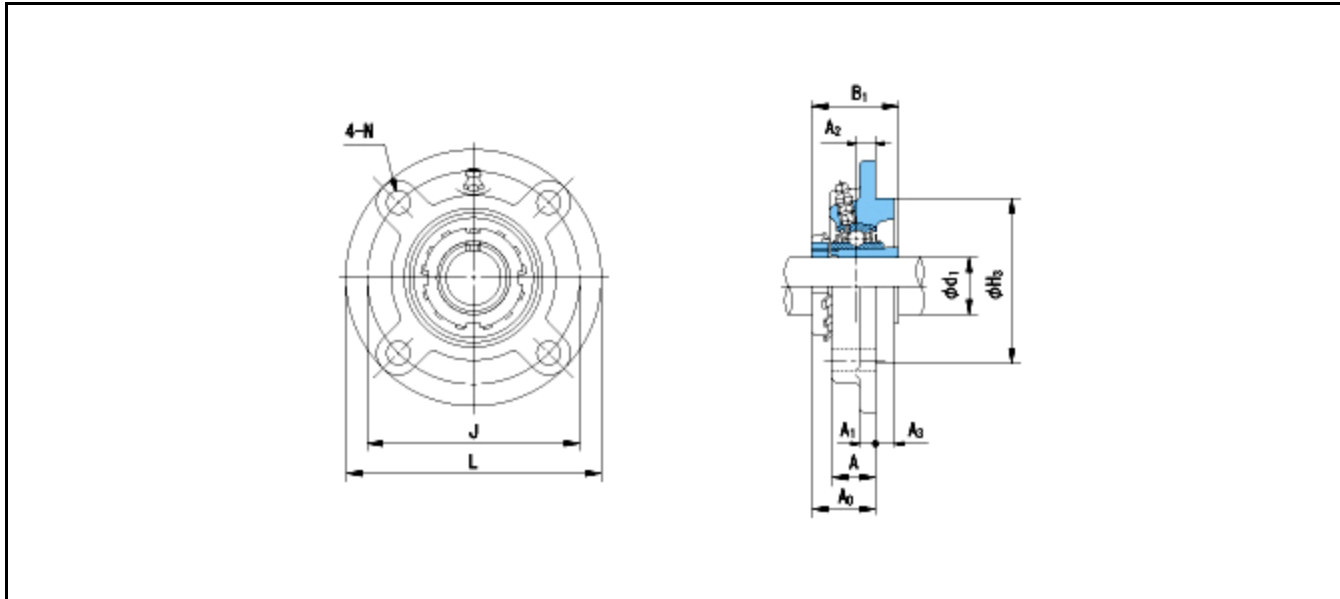
Bearing No. : **UKFCX16+H2316**

Dimensions

L = 260

J = 219

N = 23



Dimensions

d1 = 70

A = 36

A1 = 19

A2 = 10

A3 = 25

H3 = 186

B1 = 78

A0 = 50

Mass = 11.6 kg

Basic Dynamic Load Rating Cr :	83500 N		INNER RING	OUTER RING
Basic Static Load Rating Cor :	61800 N	O.D.Surface Runout with Side :		-
Limiting Speed ;		Axial Runout with Bore :	-	-
Grease Lubrication :	- rpm	Axial Runout with Raceway :	-	-
Oil Lubrication :	- rpm	Width Variation :	-	-
		Radial Runout :	-	-