

ROECO

# Bearing Data

## Ball Bearing Units

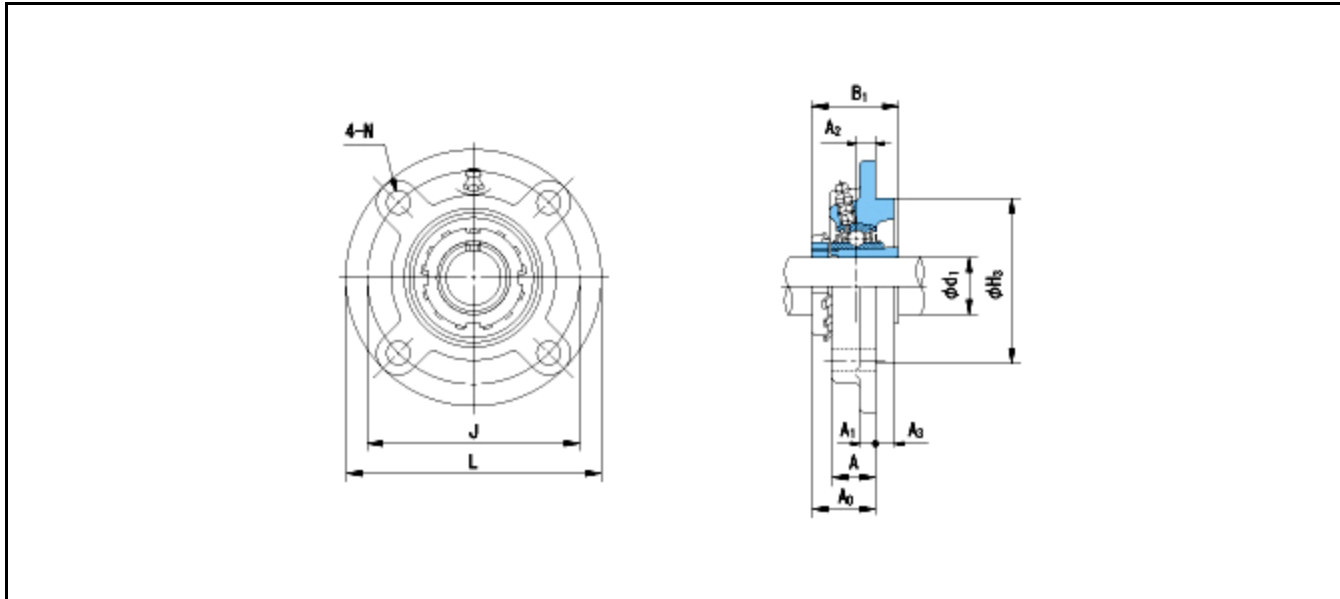
Bearing No. : **UKFCX13+H2313**

Dimensions

L = 194

J = 165

N = 16



Dimensions

d1 = 60

A = 33

A1 = 14

A2 = 11

A3 = 20

H3 = 140

B1 = 65

A0 = 45

Mass = 4.7 kg

Basic Dynamic Load Rating Cr :	<b>62000 N</b>			
Basic Static Load Rating Cor :	<b>44000 N</b>	O.D.Surface Runout with Side :		-
Limiting Speed ;		Axial Runout with Bore :	-	
Grease Lubrication :	- rpm	Axial Runout with Raceway :	-	-
Oil Lubrication :	- rpm	Width Variation :	-	-
		Radial Runout :	-	-