

ROECO

Bearing Data

Ball Bearing Units

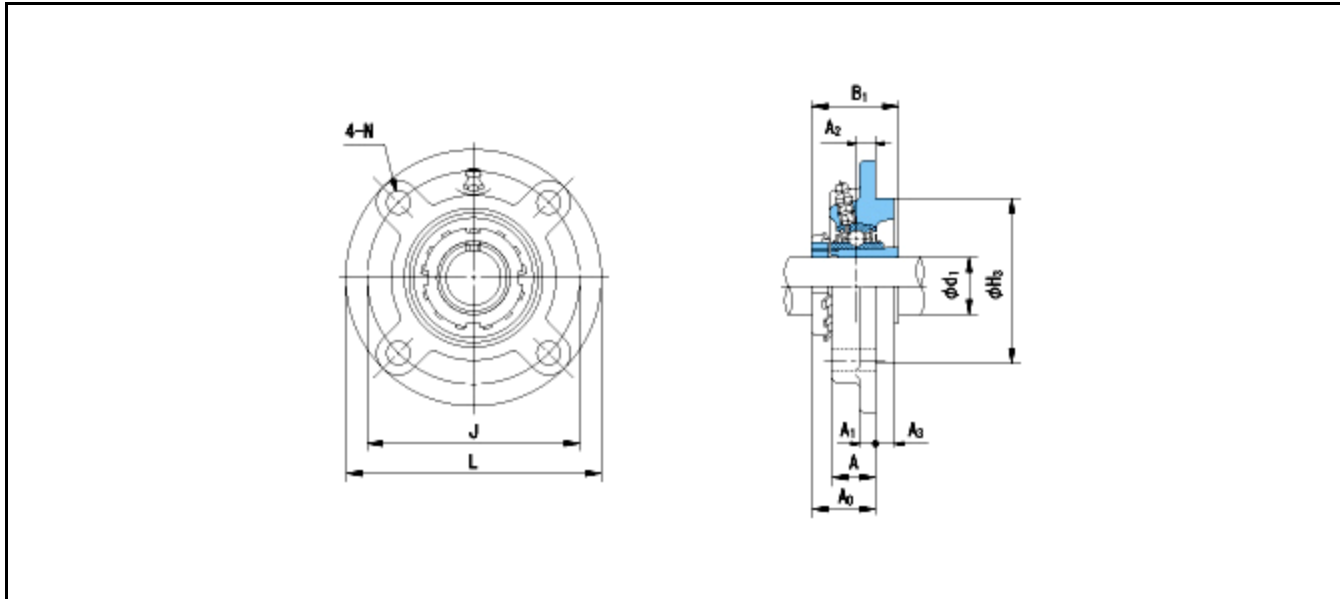
Bearing No. : **UKFCX11+H2311**

Dimensions

L = 180

J = 152

N = 16



Dimensions

d1 = 50

A = 26

A1 = 13

A2 = 4

A3 = 22

H3 = 127

B1 = 59

A0 = 34

Mass = 3.9 kg

Basic Dynamic Load Rating Cr :	52500 N			INNER RING	OUTER RING
Basic Static Load Rating Cor :	36100 N	O.D.Surface Runout with Side :			-
Limiting Speed ;		Axial Runout with Bore :		-	
Grease Lubrication :	- rpm	Axial Runout with Raceway :		-	-
Oil Lubrication :	- rpm	Width Variation :		-	-
		Radial Runout :		-	-