

ROECO

Bearing Data

Ball Bearing Units

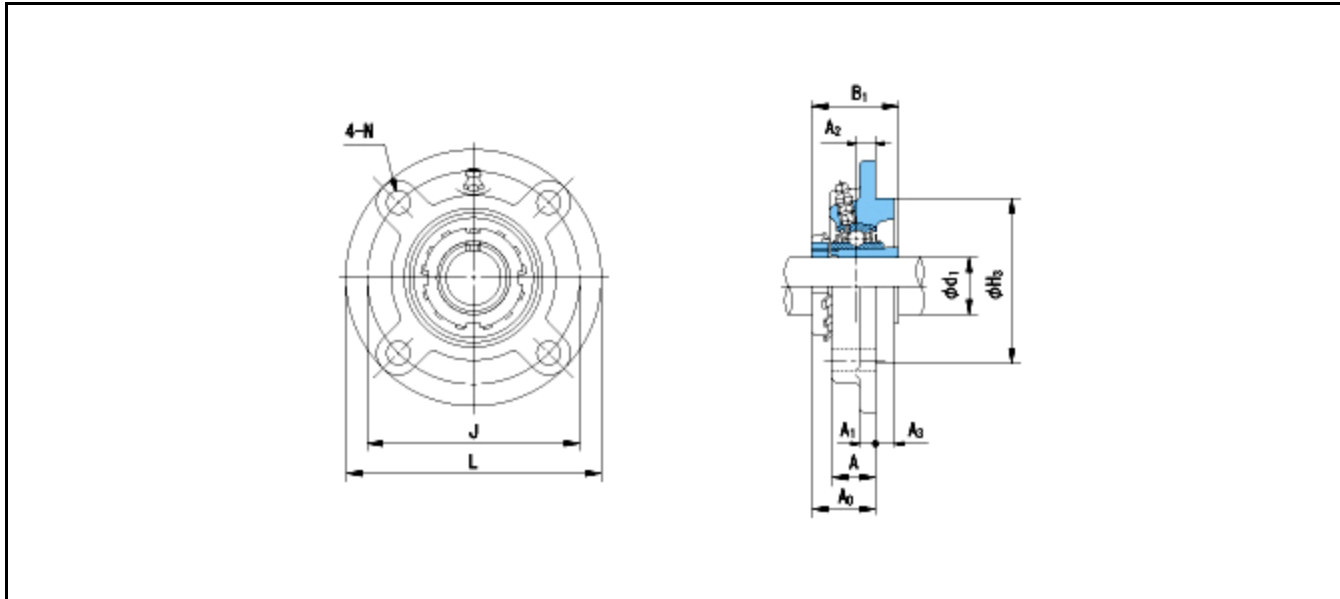
Bearing No. : **UKFCX09+H2309**

Dimensions

L = 155

J = 130

N = 14



Dimensions

d1 = 40

A = 25

A1 = 11

A2 = 8

A3 = 12

H3 = 108

B1 = 50

A0 = 34.5

Mass = 2.5 kg

Basic Dynamic Load Rating Cr :	35500 N		INNER RING	OUTER RING
Basic Static Load Rating Cor :	23200 N	O.D.Surface Runout with Side :		-
Limiting Speed ;		Axial Runout with Bore :	-	-
Grease Lubrication :	- rpm	Axial Runout with Raceway :	-	-
Oil Lubrication :	- rpm	Width Variation :	-	-
		Radial Runout :	-	-