

ROECO

# Bearing Data

## Ball Bearing Units

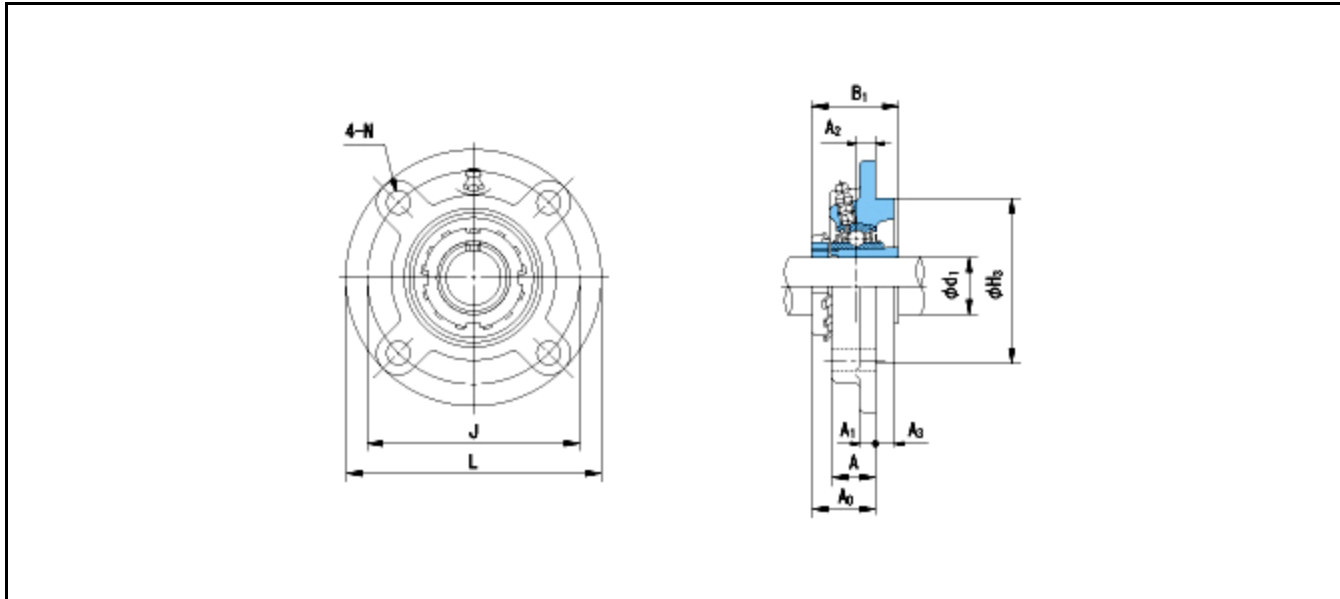
Bearing No. : **UKFCX05+H2305**

Dimensions

L = 111

J = 92

N = 9.5



Dimensions

d1 = 20

A = 24

A1 = 9.5

A2 = 10

A3 = 6

H3 = 76

B1 = 35

A0 = 31

Mass = 1.1 kg

Basic Dynamic Load Rating Cr :	<b>19600 N</b>		<b>INNER RING</b>	<b>OUTER RING</b>
Basic Static Load Rating Cor :	<b>11300 N</b>	O.D.Surface Runout with Side :		-
Limiting Speed ;		Axial Runout with Bore :	-	-
Grease Lubrication :	- rpm	Axial Runout with Raceway :	-	-
Oil Lubrication :	- rpm	Width Variation :	-	-
		Radial Runout :	-	-