

ROECO

# Bearing Data

## Ball Bearing Units

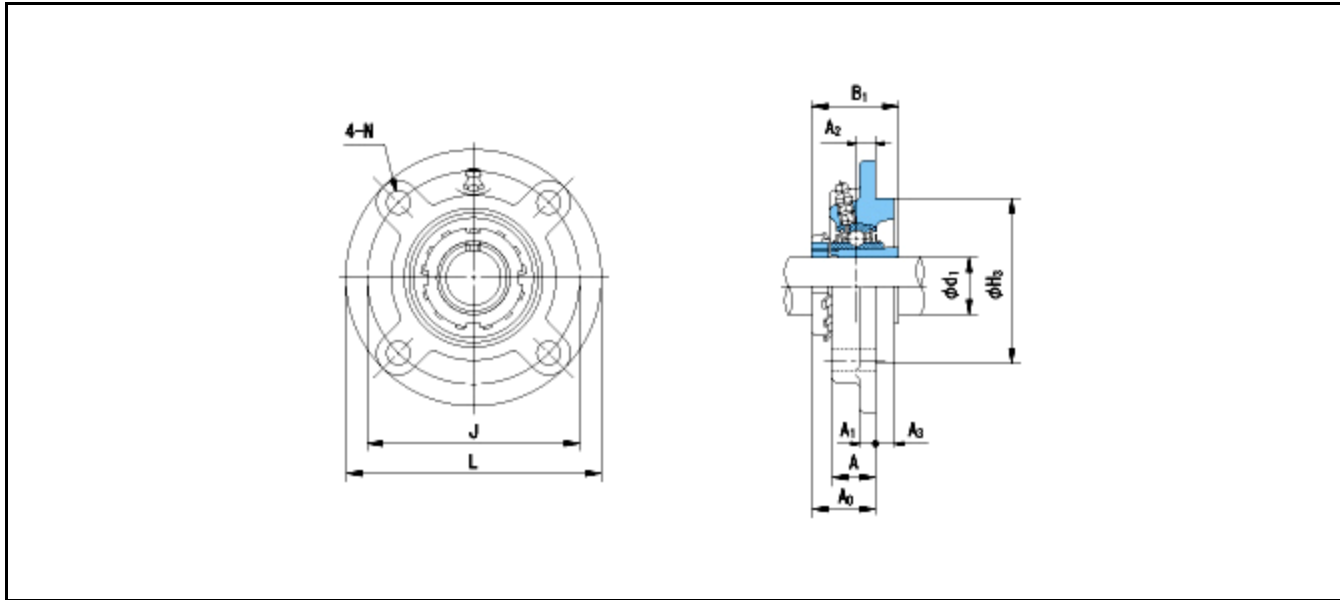
Bearing No. : **UKFC218+H2318**

Dimensions

L = 265

J = 220

N = 23



Dimensions

d1 = 80

A = 50

A1 = 20

A2 = 22

A3 = 18

H3 = 190

B1 = 86

A0 = 64.5

Mass = 13.1 kg

Basic Dynamic Load Rating Cr :	<b>95500 N</b>				
Basic Static Load Rating Cor :	<b>71400 N</b>	O.D.Surface Runout with Side :			-
Limiting Speed ;		Axial Runout with Bore :			-
Grease Lubrication :	- rpm	Axial Runout with Raceway :			-
Oil Lubrication :	- rpm	Width Variation :			-
		Radial Runout :			-