

ROECO

# Bearing Data

## Ball Bearing Units

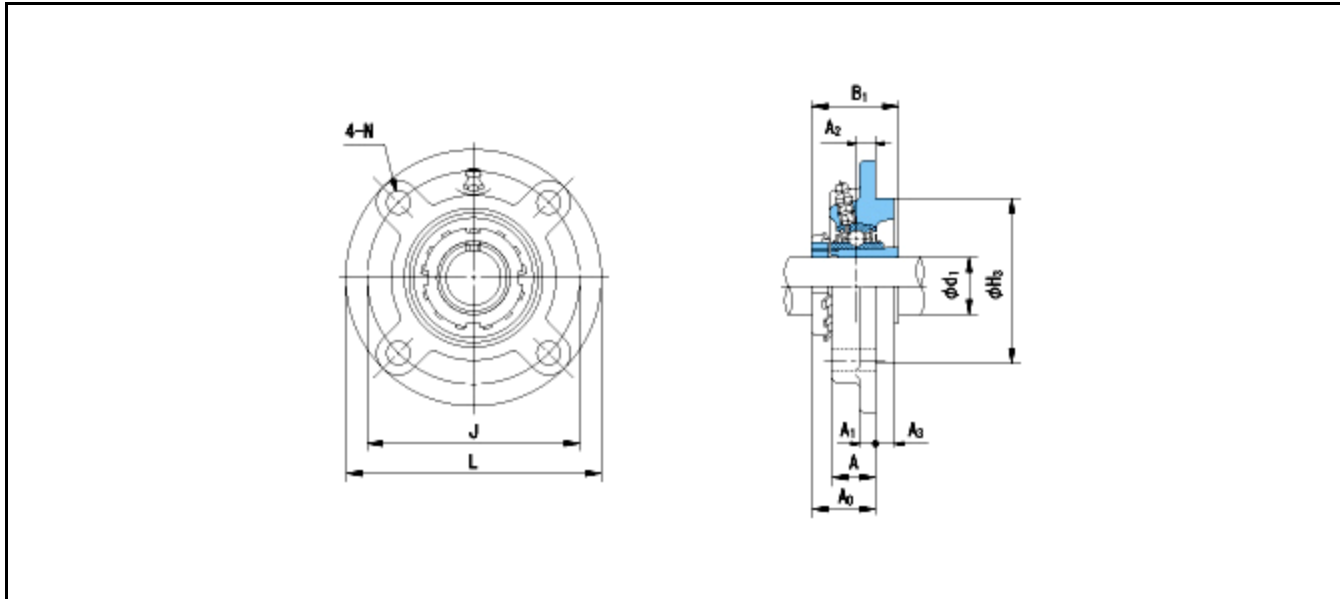
Bearing No. : **UKFC217+H2317**

Dimensions

L = 250

J = 208

N = 23



Dimensions

d1 = 75

A = 45

A1 = 20

A2 = 18

A3 = 18

H3 = 180

B1 = 82

A0 = 59

Mass = 11.1 kg

|                                |                |                                |                   |                   |
|--------------------------------|----------------|--------------------------------|-------------------|-------------------|
| Basic Dynamic Load Rating Cr : | <b>83500 N</b> |                                | <b>INNER RING</b> | <b>OUTER RING</b> |
| Basic Static Load Rating Cor : | <b>61800 N</b> | O.D.Surface Runout with Side : |                   | -                 |
| Limiting Speed ;               |                | Axial Runout with Bore :       | -                 | -                 |
| Grease Lubrication :           | - rpm          | Axial Runout with Raceway :    | -                 | -                 |
| Oil Lubrication :              | - rpm          | Width Variation :              | -                 | -                 |
|                                |                | Radial Runout :                | -                 | -                 |