

ROECO

# Bearing Data

## Ball Bearing Units

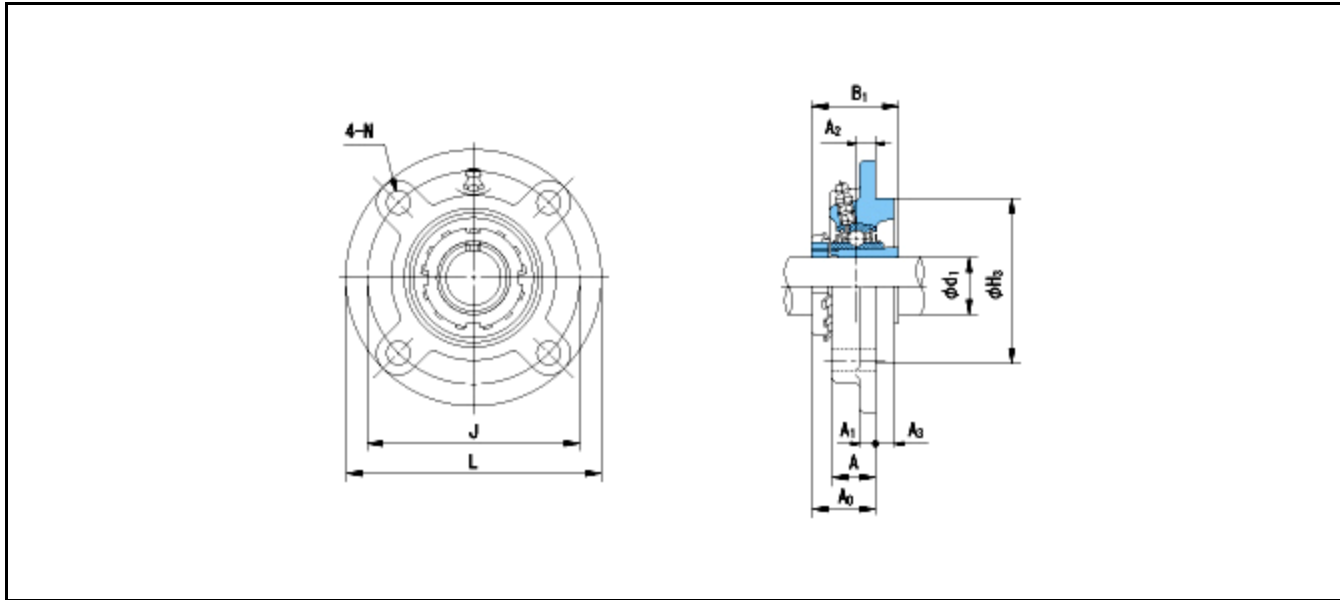
Bearing No. : **UKFC216+H2316**

Dimensions

L = 240

J = 200

N = 23



Dimensions

d1 = 70

A = 42

A1 = 18

A2 = 18

A3 = 16

H3 = 170

B1 = 78

A0 = 57

Mass = 9.6 kg

Basic Dynamic Load Rating Cr :	<b>72500 N</b>			
Basic Static Load Rating Cor :	<b>53000 N</b>			
Limiting Speed ;				
Grease Lubrication :	- rpm			
Oil Lubrication :	- rpm			
			<b>INNER RING</b>	<b>OUTER RING</b>
		O.D.Surface Runout with Side :	-	-
		Axial Runout with Bore :	-	-
		Axial Runout with Raceway :	-	-
		Width Variation :	-	-
		Radial Runout :	-	-