

ROECO

# Bearing Data

## Ball Bearing Units

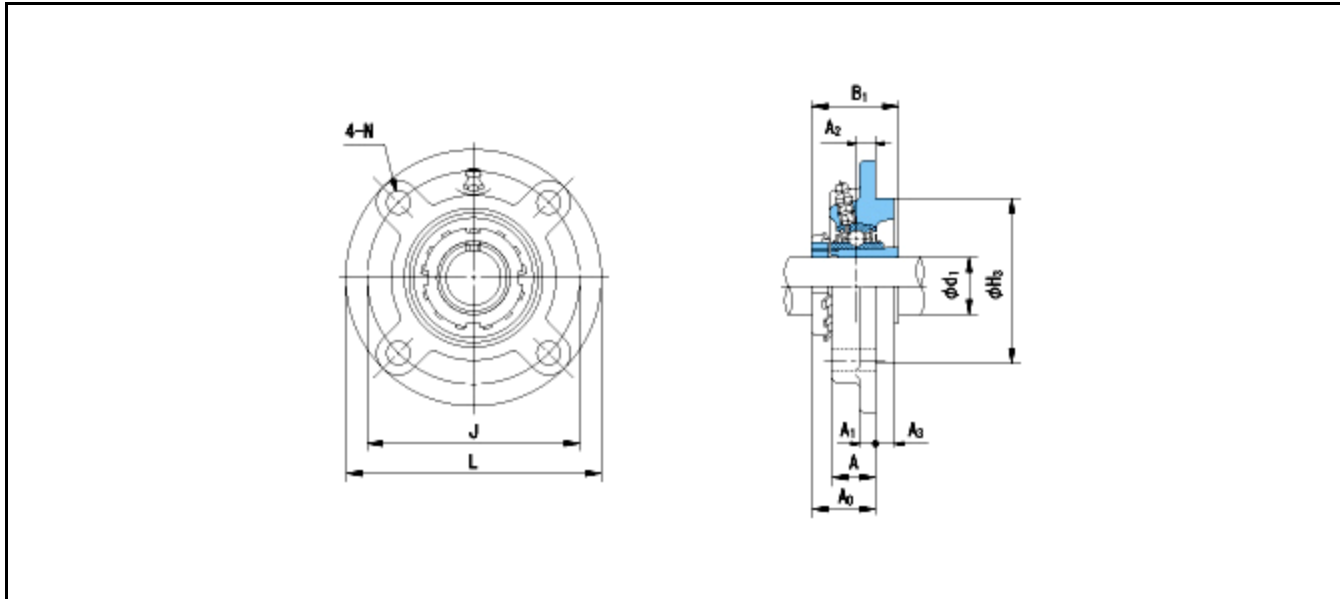
Bearing No. : **UKFC215+H2315**

Dimensions

L = 220

J = 184

N = 19



Dimensions

d1 = 65

A = 40

A1 = 18

A2 = 18

A3 = 16

H3 = 160

B1 = 73

A0 = 53.5

Mass = 7.8 kg

Basic Dynamic Load Rating Cr :	<b>66000 N</b>		<b>INNER RING</b>	<b>OUTER RING</b>
Basic Static Load Rating Cor :	<b>48200 N</b>	O.D.Surface Runout with Side :	-	-
Limiting Speed ;		Axial Runout with Bore :	-	-
Grease Lubrication :	- rpm	Axial Runout with Raceway :	-	-
Oil Lubrication :	- rpm	Width Variation :	-	-
		Radial Runout :	-	-