

ROECO

# Bearing Data

## Ball Bearing Units

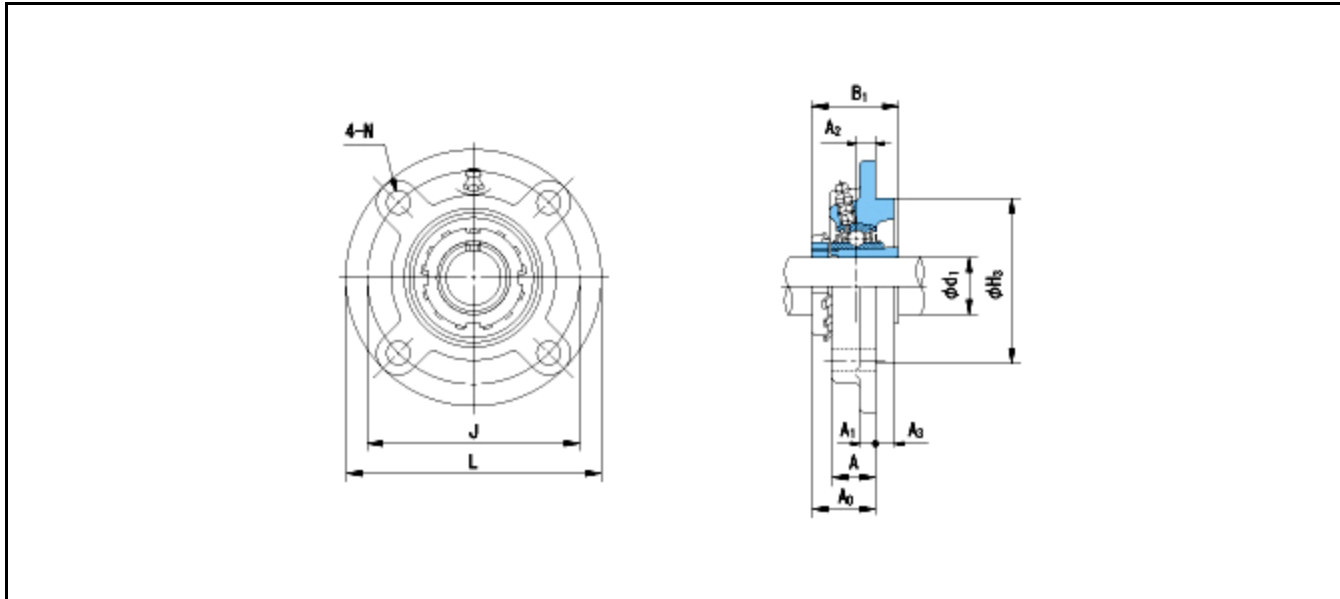
Bearing No. : **UKFC213+H2313**

Dimensions

L = 205

J = 170

N = 19



Dimensions

d1 = 60

A = 36

A1 = 15

A2 = 16

A3 = 14

H3 = 145

B1 = 65

A0 = 49

Mass = 5.4 kg

Basic Dynamic Load Rating Cr :	<b>57500 N</b>			<b>INNER RING</b>	<b>OUTER RING</b>
Basic Static Load Rating Cor :	<b>40000 N</b>	O.D.Surface Runout with Side :			-
Limiting Speed ;		Axial Runout with Bore :		-	
Grease Lubrication :	- rpm	Axial Runout with Raceway :		-	-
Oil Lubrication :	- rpm	Width Variation :		-	-
		Radial Runout :		-	-