

ROECO

Bearing Data

Ball Bearing Units

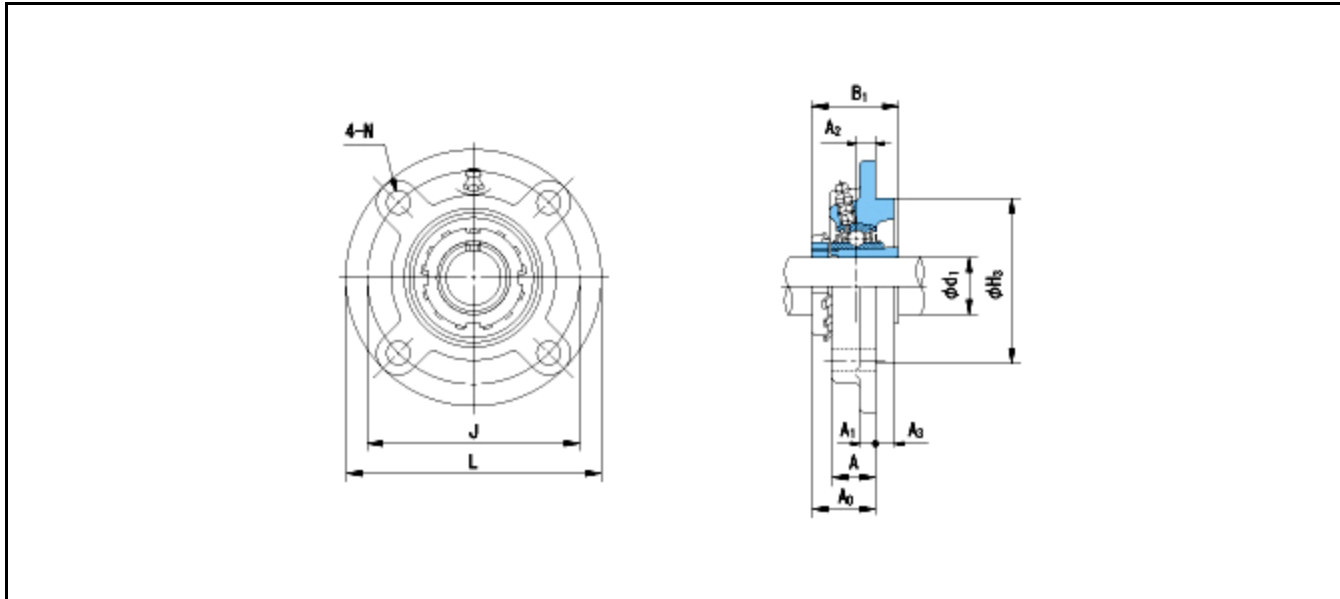
Bearing No. : **UKFC212+H2312**

Dimensions

L = 195

J = 160

N = 19



Dimensions

d1 = 55

A = 36

A1 = 15

A2 = 17

A3 = 12

H3 = 135

B1 = 62

A0 = 48

Mass = 4.4 kg

Basic Dynamic Load Rating Cr :	52500 N		INNER RING	OUTER RING
Basic Static Load Rating Cor :	36100 N	O.D.Surface Runout with Side :		-
Limiting Speed ;		Axial Runout with Bore :	-	-
Grease Lubrication :	- rpm	Axial Runout with Raceway :	-	-
Oil Lubrication :	- rpm	Width Variation :	-	-
		Radial Runout :	-	-