

ROECO

Bearing Data

Ball Bearing Units

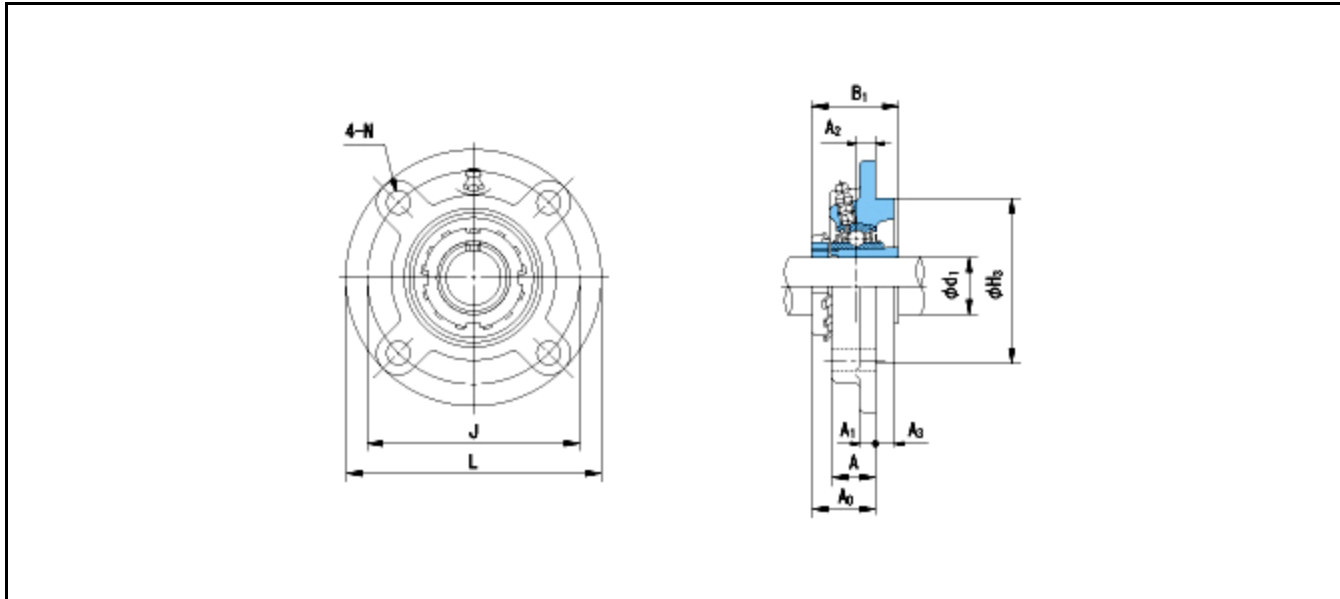
Bearing No. : **UKFC211+H2311**

Dimensions

L = 185

J = 150

N = 19



Dimensions

d1 = 50

A = 31

A1 = 15

A2 = 13

A3 = 12

H3 = 125

B1 = 59

A0 = 41.5

Mass = 4 kg

Basic Dynamic Load Rating Cr :	43000 N		INNER RING	OUTER RING
Basic Static Load Rating Cor :	29400 N	O.D.Surface Runout with Side :		-
Limiting Speed ;		Axial Runout with Bore :	-	-
Grease Lubrication :	- rpm	Axial Runout with Raceway :	-	-
Oil Lubrication :	- rpm	Width Variation :	-	-
		Radial Runout :	-	-