

ROECO

Bearing Data

Ball Bearing Units

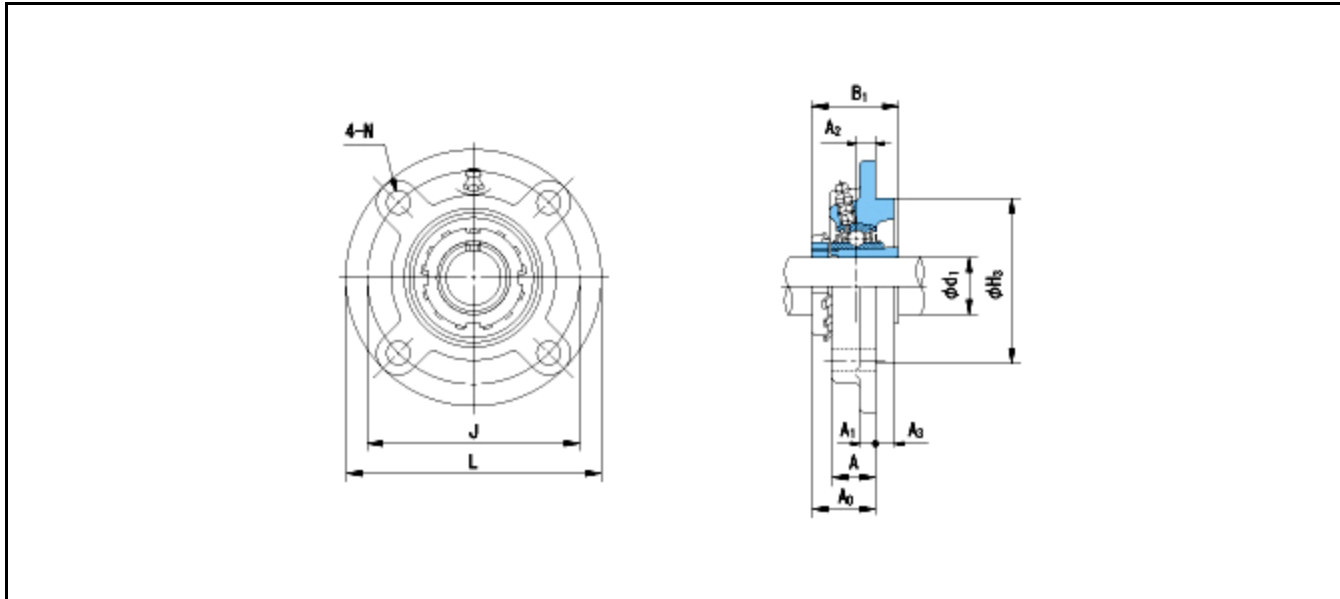
Bearing No. : **UKFC210+H2310**

Dimensions

L = 165

J = 138

N = 16



Dimensions

d1 = 45

A = 28

A1 = 14

A2 = 10

A3 = 12

H3 = 110

B1 = 55

A0 = 37.5

Mass = 3.3 kg

Basic Dynamic Load Rating Cr :	35500 N		INNER RING	OUTER RING
Basic Static Load Rating Cor :	23200 N	O.D.Surface Runout with Side :		-
Limiting Speed ;		Axial Runout with Bore :	-	-
Grease Lubrication :	- rpm	Axial Runout with Raceway :	-	-
Oil Lubrication :	- rpm	Width Variation :	-	-
		Radial Runout :	-	-