

ROECO

# Bearing Data

## Ball Bearing Units

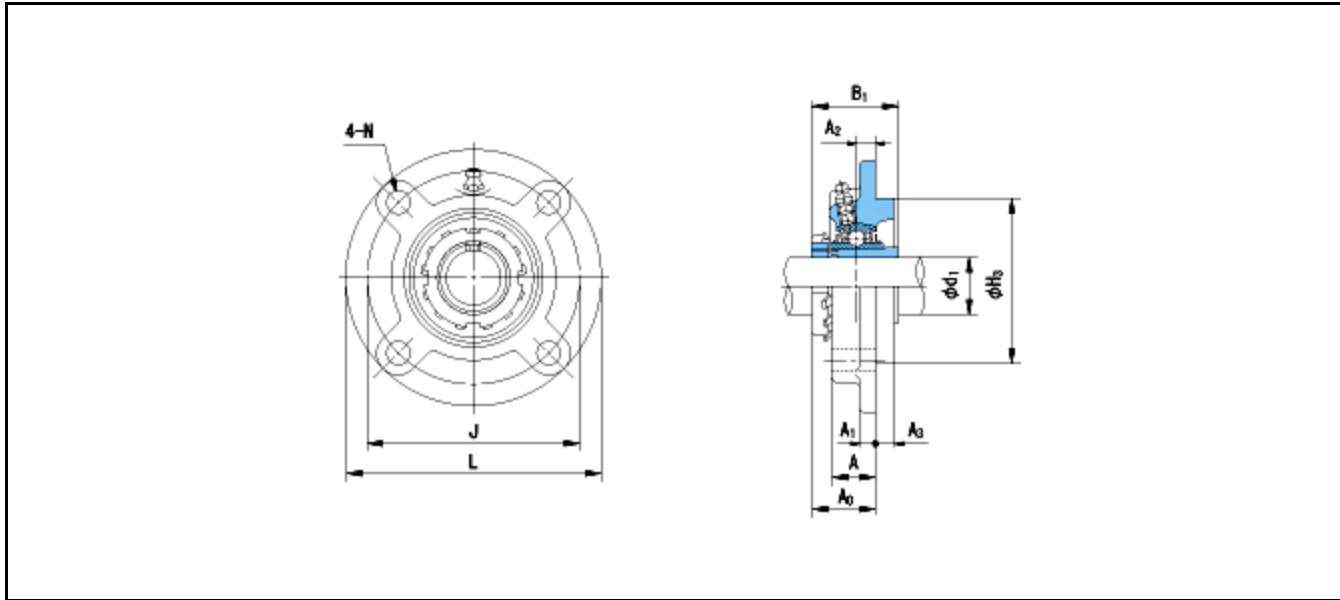
Bearing No. : **UKFC209+H2309**

Dimensions

L = 160

J = 132

N = 16



Dimensions

d1 = 40

A = 26

A1 = 14

A2 = 10

A3 = 12

H3 = 105

B1 = 50

A0 = 36

Mass = 3.1 kg

Basic Dynamic Load Rating Cr :	<b>33000 N</b>				
Basic Static Load Rating Cor :	<b>20500 N</b>	O.D.Surface Runout with Side :			-
Limiting Speed ;		Axial Runout with Bore :			-
Grease Lubrication :	- rpm	Axial Runout with Raceway :			-
Oil Lubrication :	- rpm	Width Variation :			-
		Radial Runout :			-