

ROECO

# Bearing Data

## Ball Bearing Units

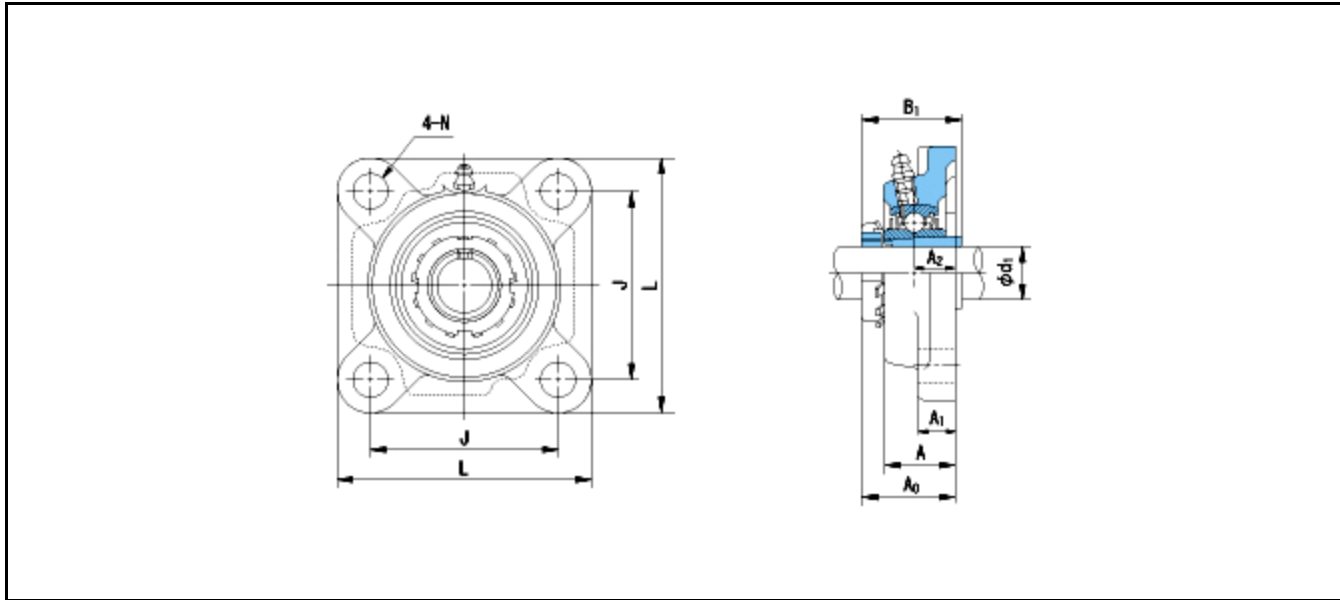
Bearing No. : **UKF308+H2308**

Dimensions

L = 150

J = 112

N = 19



Dimensions

d1 = 35

A1 = 17

A2 = 23

B1 = 46

A = 40

A0 = 50

Mass = 3 kg

Basic Dynamic Load Rating Cr :	<b>40500 N</b>			
Basic Static Load Rating Cor :	<b>23900 N</b>	O.D.Surface Runout with Side :		-
Limiting Speed ;		Axial Runout with Bore :	-	
Grease Lubrication :	- rpm	Axial Runout with Raceway :	-	-
Oil Lubrication :	- rpm	Width Variation :	-	-
		Radial Runout :	-	-