

ROECO

# Bearing Data

## Ball Bearing Units

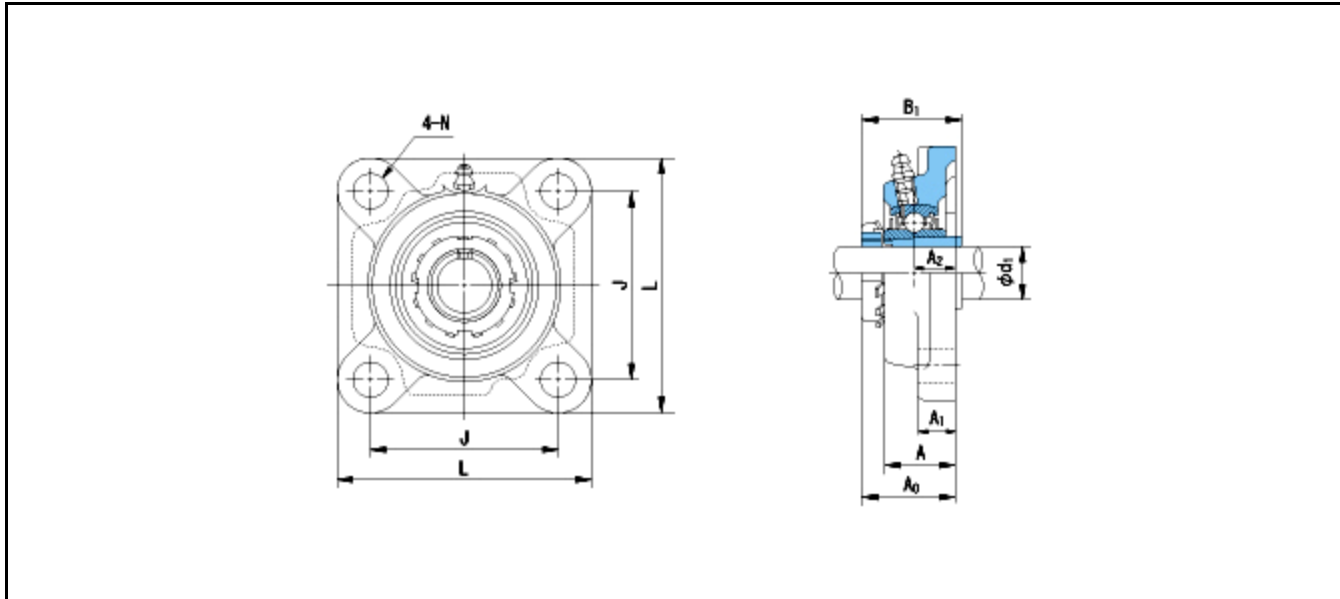
Bearing No. : **UKF307+H2307**

Dimensions

L = 135

J = 100

N = 19



Dimensions

d1 = 30

A1 = 16

A2 = 20

B1 = 43

A = 36

A0 = 44.5

Mass = 2.1 kg

Basic Dynamic Load Rating Cr :	<b>33500 N</b>			
Basic Static Load Rating Cor :	<b>19200 N</b>	O.D.Surface Runout with Side :		-
Limiting Speed ;		Axial Runout with Bore :	-	
Grease Lubrication :	- rpm	Axial Runout with Raceway :	-	-
Oil Lubrication :	- rpm	Width Variation :	-	-
		Radial Runout :	-	-