

ROECO

# Bearing Data

## Ball Bearing Units

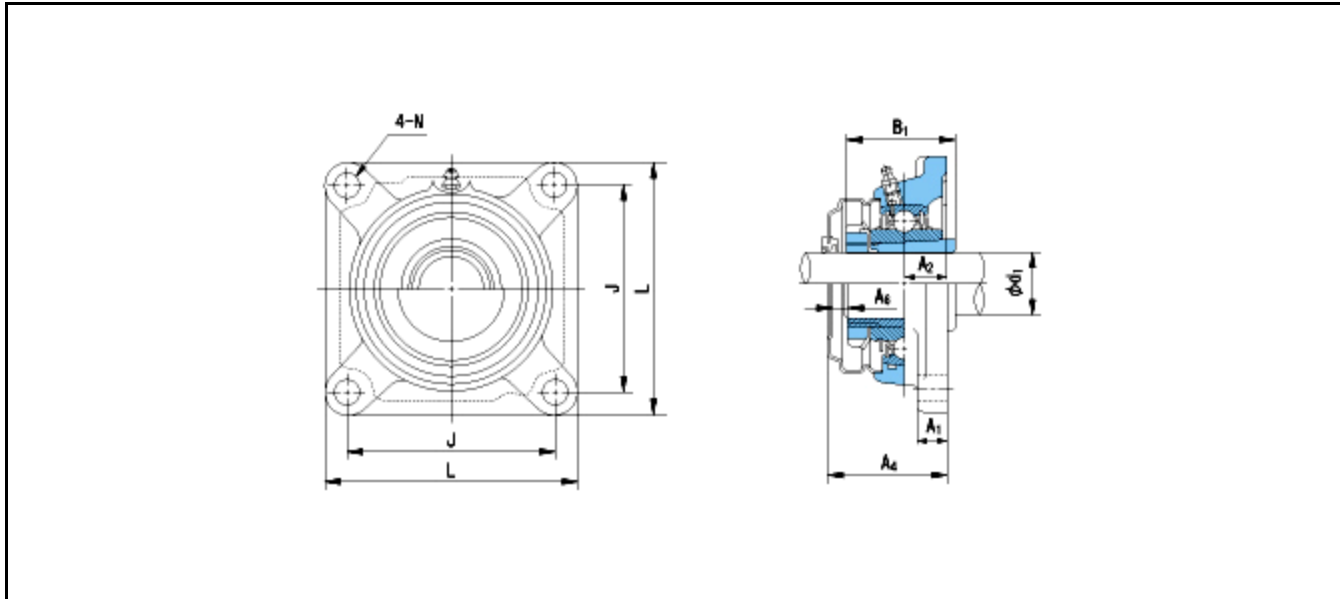
Bearing No. : **UKF210E+H2310**

Dimensions

L = 143

J = 111

N = 16



Dimensions

d1 = 45

A1 = 18

A2 = 22

B1 = 55

A4 = 66

A6 = 15

Mass = 2.8 kg

Basic Dynamic Load Rating Cr :	<b>35500 N</b>			
Basic Static Load Rating Cor :	<b>23200 N</b>	O.D.Surface Runout with Side :		-
Limiting Speed ;		Axial Runout with Bore :		-
Grease Lubrication :	- rpm	Axial Runout with Raceway :		-
Oil Lubrication :	- rpm	Width Variation :		-
		Radial Runout :		-