

ROECO

Bearing Data

Ball Bearing Units

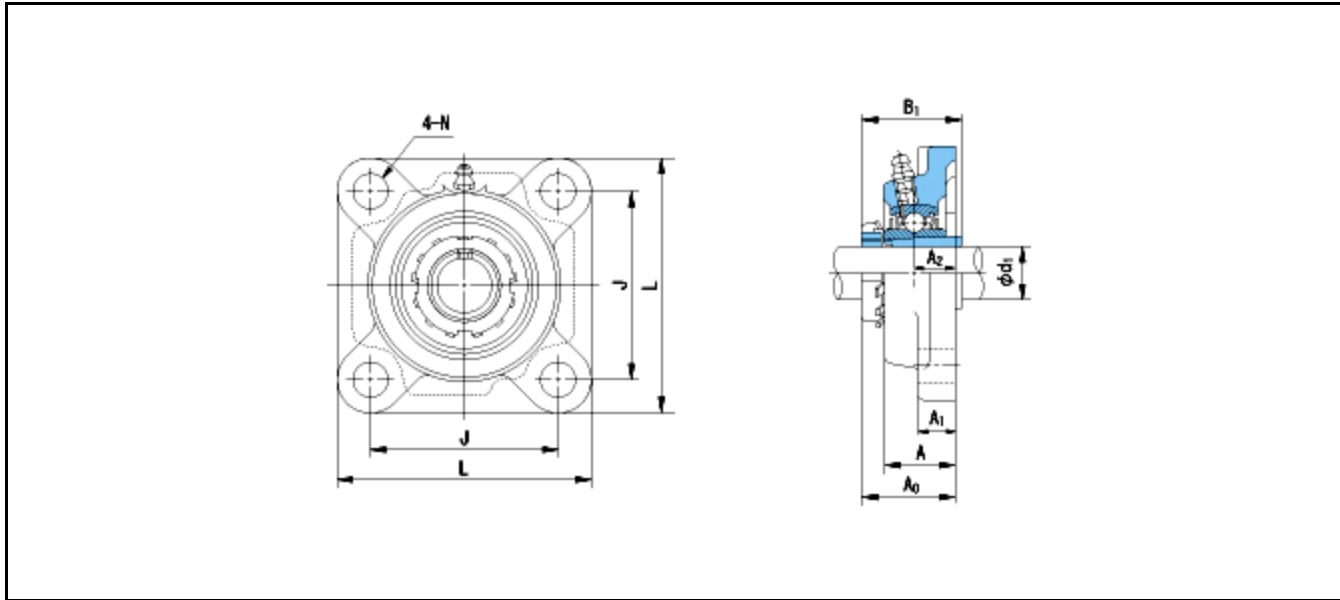
Bearing No. : **UKF210+H2310**

Dimensions

L = 143

J = 111

N = 16



Dimensions

d1 = 45

A1 = 18

A2 = 22

B1 = 55

A = 40

A0 = 49.5

Mass = 2.7 kg

Basic Dynamic Load Rating Cr :	35500 N			
Basic Static Load Rating Cor :	23200 N	O.D.Surface Runout with Side :		-
Limiting Speed ;		Axial Runout with Bore :	-	
Grease Lubrication :	- rpm	Axial Runout with Raceway :	-	-
Oil Lubrication :	- rpm	Width Variation :	-	-
		Radial Runout :	-	-