

ROECO

# Bearing Data

## Ball Bearing Units

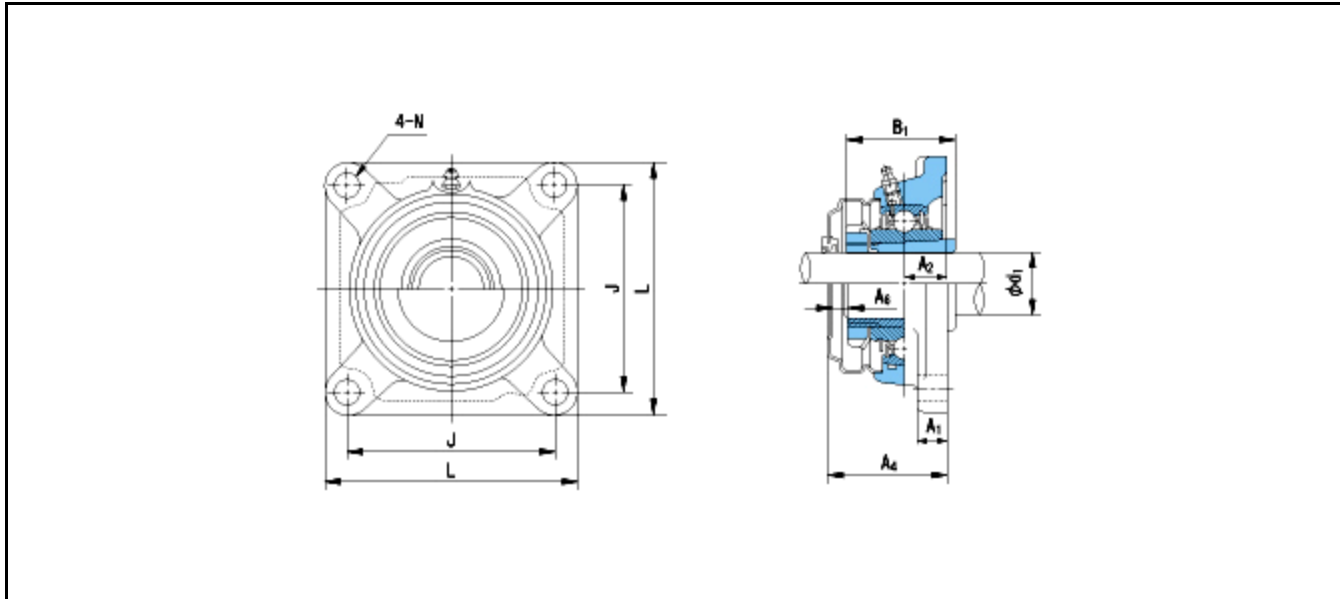
Bearing No. : **UKF207C+H2307**

Dimensions

L = 117

J = 92

N = 14



Dimensions

d1 = 30

A1 = 16

A2 = 19

B1 = 43

A4 = 54

A6 = 11

Mass = 1.7 kg

Basic Dynamic Load Rating Cr :	<b>25900 N</b>			
Basic Static Load Rating Cor :	<b>15400 N</b>	O.D.Surface Runout with Side :		-
Limiting Speed ;		Axial Runout with Bore :	-	
Grease Lubrication :	- rpm	Axial Runout with Raceway :	-	-
Oil Lubrication :	- rpm	Width Variation :	-	-
		Radial Runout :	-	-